

# Reel Product News

## Hannay Offers Industrial Vacuum Reel Options

Four new series of industrial strength reels are now available. The VAC4000, VAC900, VACN900 & VAC2900 are designed specifically for shop vacuum applications, car detailing operations and general industrial vacuum needs.

These reels handle up to 50' of 1-1/2" or 2" ID vacuum hose, are constructed of heavy-duty steel and available in manual or spring return to automatically rewind hose.



### VAC4000 Standard Features:

- To handle 1-1/2" ID industrial vacuum hose.
- Includes permanently attached crank handle and cam-lock drag brake.
- Rollformed channel frame for heavy duty applications.
- Internal hub connection to fit hose cuff.

### VAC4000 Series

Standard configuration shown (hose not included).

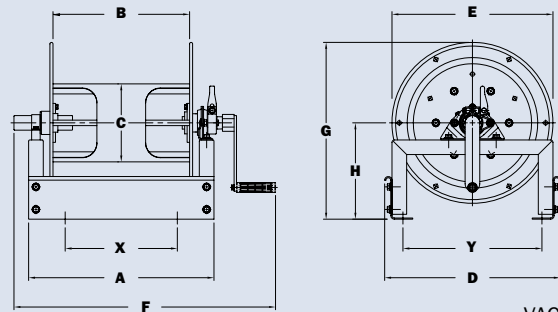
Model Number	Hose Capacity of Reel		Approx. Weight			Reel Dimensions***									
	feet m		lb. kg			in. mm									
	I.D. in. mm	1-1/2 38	NET	UPS/ FedEx SHIP Wt.	Freight SHIP Wt.	A	B	C	D	E	F	G	H	X	Y
VAC4020-17-18-8	25	38				82	73	17	12	8	18	16.50	24.88	18.13	9.88
	8	17	37	33	431	305	203	457	419	632	460	251	241	362	
VAC4024-17-18-8	35	42	94	77	21	16	8	18	16.50	28.88	18.13	9.88	13.50	14.25	
	11	19	43	35	533	406	203	457	419	734	460	251	343	362	
VAC4028-17-18-8	50	46	98	81	25	20	8	18	16.50	32.88	18.13	9.88	17.50	14.25	
	15	21	45	37	635	508	203	457	419	835	460	251	445	362	

### Notes:

1. Specifications subject to change.
2. Upon request, reels can be supplied with drum lengths other than shown.
3. Dimension "F" is the overall length of standard model reels.
4. **Be sure to check dimensions and weights prior to ordering.**

\* Dimensional weight applies when shipped as a parcel package (via FedEx or UPS Ground).

\*\*\* X, Y indicate mounting holes. (Also applies for external mounting brackets.)



VAC4000

See reverse for additional reel models. ▶

# Reel Product News

## VACN900 Standard Features:

- To handle 1-1/2" ID industrial vacuum hose.
- N-series has a narrow frame and compact mounting base, allows for different mounting options: floor, ceiling or wall.
- Non-sparking ratchet assembly locks hose at different payout lengths and 4-way roller assembly to guide hose.



◀ **VACN900 Series** standard configuration shown with "SR" roller position (hose not included).

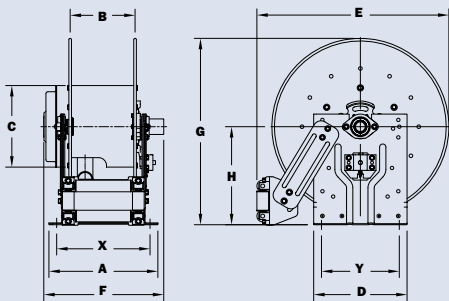
## VAC900/VAC2900 Standard Features:

- VAC900: to handle 1-1/2" ID vacuum hose. VAC2900: to handle 2" ID vacuum hose.
- Roll-formed channel frame for heavy-duty applications, allows different mounting options: floor, ceiling or wall.
- Non-sparking ratchet assembly locks hose at different payout lengths and 4-way roller assembly to guide hose.

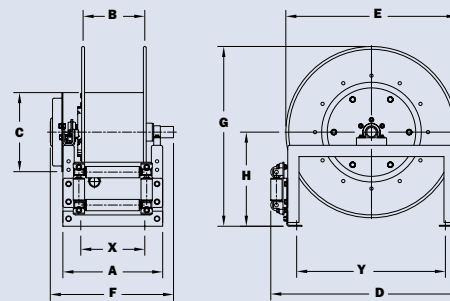


**VAC900 Series** ▶ optional "TR" roller position shown (hose not included).

Model Number	Hose Capacity of Reel			Approx. Weight		Standard Roller Assy.	Reel Dimensions***								
	feet m			lb. kg			in. mm								
	I.D. in. mm	1-1/2 38	2 51	NET	SHIP		A	B	D	E	F	G	H	X	Y
VACN918-23-24-10.5L	25	-	-	60	95	N306	12	6	12	24	13.25	24	12.63	10	10
	8	-	-	27	43		305	152	305	610	337	610	320	254	254
VACN920-23-24-10.5L	35	-	-	62	97	N308	14	8	12	24	15.25	24	12.63	12	10
	11	-	-	28	44		356	203	305	610	387	610	320	305	254
VAC920-28-29-10.5J	50	-	-	76	111	R308	13.25	8	28.5	26.75	16.5	28.25	14.88	8.5	23.25
	15	-	-	34	50		337	203	724	679	419	718	378	216	591
VAC2920-28-29-10.5J	-	25	-	77	112	R2308	13.25	8	28.5	26.75	16.75	28.25	14.88	8.5	23.25
	-	8	-	35	51		337	203	724	679	425	718	378	216	591
VAC2922-28-29-10.5J	-	35	-	79	113	R2310	15.25	10	28.5	26.75	18.75	28.25	14.88	10.5	23.25
	-	11	-	36	51		387	254	724	679	476	718	378	267	591
VAC2920-33-34-10.5J	-	50	-	92	127	R2308	13.25	8	33	31.75	16.75	33.63	17.75	8.5	27.75
	-	15	-	42	58		337	203	838	806	425	854	451	216	705



VACN900



VAC900/VAC2900

### Available Roller Positions



SR (STD)



VR (OPT)



TR (OPT)



TR (Wallmount)

### Notes: A hose stop is necessary to keep spring from unwinding.

1. Specifications subject to change.
2. Reel models and capacities shown are for standard drag applications; for vertical lift applications, consult factory.
3. Be sure to check dimensions and weights prior to ordering.

\*\*\* X, Y indicate mounting holes.