

C  
10.5"  
267



**Hannay Reels®**  
The reel leader.

# LP Gas Hose Reels

| Home Delivery Trucks | Dispensing Systems | Fueling Vehicles |  
| Filling Stationary and Portable Cylinders |



**You Can't Buy  
A Better Reel.**

Family owned and operated since 1933

# CONTENTS

Hannay hose reels come in all sizes and capacities.

LP Gas Hose Reels	I.D. Hose Sizes	Page
Hannay Reels Policies – Our Guarantee, Service Policy, Paint Notice, Return Goods Policy		3
<b>Manual or Power Rewind Reels</b>		
Series PB/DPB	1" – 1-1/2"	4-5
<b>Power Rewind Reels</b>		
Series PBGMB/PBGMT	1" – 1-1/2"	6-7
<b>Power Rewind Liquid Reel with Manual Rewind Vapor Reel</b>		
Series PBM	Liquid	1" – 1-1/2"
	Vapor	1/2" – 1"
<b>Spring Rewind Reels</b>		
Series SPBN800/SPB800	3/4" or 1"	9
<b>Accessories</b>		10
<b>Hannay Reels Spec Worksheet</b>		11

### Note to Designers and Engineers

The reels shown in this catalog are the standard of the industry.

These models reflect various installation and performance requirements.

The high quality of our **standard steel construction** is only the beginning.

Hannay Reels offers any size configuration to fit a defined space, and we construct many models of reels of **aluminum** or **stainless steel**. Specifically, we use 5000 and 6000 Series aluminum and 304 stainless steel in the manufacture of frames, discs, drums, and internals as well as other structural components. This type of construction eliminates the need for maintenance repainting and part replacement due to rust or corrosion.

Please consult factory on any fuel handling questions.

For the many accessories and components available on our standard reel models such as roller guides, switches, brakes and locks, etc., please refer to our Ordering & Accessory Guide H-0415-OA.



### Only one reel sets the standard in the propane delivery industry.

Our reels are created specifically for fuel delivery applications – never retrofitted to the job – so you can expect superior fit and function. We offer thousands of standard reels – or can create custom designs – that are built strong to last long, require minimal maintenance, and provide a lifetime of value.

Often outlasting the vehicles they're on, our reels provide safer operation with:

- Non-sparking ratchet assemblies
- Explosion-proof motors
- Suspended IV reels that allow access on either side of the vehicle

All Hannay LP Gas reels are handcrafted and available in aluminum, stainless steel, e-coated, and painted steel for superior protection against contamination and corrosion in sensitive or caustic environments.

#### Uses:

- Home delivery vehicles
- Dispensing systems
- Fueling vehicles
- Filling stationary and portable cylinders

#### Mounting Hole Sizes

<b>N Series Reels</b>	7/16" wide x 7/8" long slot running front to back
<b>Pressed Frame Reels and Channel Framed Reels</b>	7/16" wide x 7/8" long slot running left to right

# Hannay Reels **Sales Policies**

## **Our Guarantee and Service Policy - 2 Year Warranty**

Equipment manufactured by Hannay Reels, Inc. is guaranteed for **2 years** from date of shipment when installed according to our instructions, given proper care, and used for the purpose for which it is designed.

Equipment which proves to be defective upon our inspection will be replaced free of charge, including freight to the customer. Our responsibility ceases upon delivery to any common carrier and we do not, unless previously instructed, insure shipments beyond point of delivery to such carrier. No material will be accepted for return without a return goods authorization. No allowance will be made for labor charges incurred in making exchanges, replacements or repairs.

**Components (including hose and cable) which are manufactured by other vendors will be subject to the warranty terms of their own manufacturers.**

**Also excluded from the general guarantee are normal wear items (including seals, motor brushes, and paint finish).**

We reserve the right to modify or alter materials, dimensions, design, and construction when necessary to improve the performance of the reel and/or accessories, or to meet delivery requirements.

**Failure to use a properly sized circuit breaker with any electric rewind motor will void warranty on motor.**

**Failure to use a flexible connector with any live hose reel will void warranty on swivel joint.**

We expressly disclaim any liability for damage or injuries resulting from the use, operation, service, maintenance or failure of equipment.

## **Notice on Reel Finish**

Standard finish on Hannay reels is a high performance modified acrylic enamel paint. Standard color is metallic graphite. Other colors available at no additional cost include red, white, black, and primer.

Most of the major components on standard reels are e-coated prior to receiving final topcoat paint finish. This combination of e-coat and enamel topcoat will meet the finish requirements of most customer applications and environments.

In cases where requirements cannot be met with the standard finish, Hannay Reels can coat any model reel with an automotive primer, allowing application of final coating at your facility. Alternatively, Hannay Reels can provide a quote for matching a customer-provided paint specification. For further information, please contact your Hannay Reels sales engineer and a special paint request form will be sent to you.

For environments where no paint finish is suitable, we offer both aluminum and stainless steel (304 grade) construction on most reel models.

## **Return Goods Policy**

All Hannay reels are built to order. The parts and components are ordered or placed into production as soon as the order is written.

In order to keep the number of returned goods at a minimum, we ask that you use the Hannay Reels Spec Worksheet and/or Accessory Order Form when specifying reels with us.

**Be sure to include any size and/or weight limitations for your installation.**

In the event that an item does need to be returned for credit, repair or replacement, prior approval **must** be obtained from Hannay Reels, Inc. Upon your request, we will fax a Return Goods Authorization form. A signed copy of this form must accompany the material when returned to us.

All material must be returned prepaid, unless otherwise noted on our Return Goods Authorization. **No** return will be accepted that has been damaged due to improper return packaging, tampered with or altered from its original condition. **Equipment specially built to customer specifications and requirements is not subject to cancellation or returnable for credit under any conditions.**

Our restocking and handling fee is a MINIMUM of 25% for standard catalog reels and parts.

No material will be accepted for credit when returned without permission. Orders for equipment incorporating variations from catalog listed items are special and are not subject to return.

No allowance will be made for labor or mileage charges incurred in making exchanges, replacements or repairs.

# Series PB/DPB

## To handle single 1" through 1-1/2" I.D. hose.

- Standard hose reel is steel construction, painted graphite. Aluminum or stainless steel construction is available.
- "SB" prefix denotes polished aluminum construction, offering both reduced weight and superior corrosion resistance compared to standard steel construction.
- Series PB are explosion-proof reels.
- Series DPB reel is direct hydraulic drive, eliminating the use of chain and sprockets.
- Choose gear-driven crank rewind, #40 chain and sprocket drive powered by an electric, hydraulic or compressed air motor or direct drive hydraulic rewind motor.
- Crank rewind reels and direct drive reels supplied with pinion brake.
- Power rewind reels (chain and sprocket driven) supplied with a strap brake. Other brake and locking devices may be specified.
- Standard inlet: 90° ball bearing swivel joint, 1-1/2" female NPT threads.
- Standard outlet: flanged riser, 1" female NPT threads. Standard inlet, outlet riser, and hub assembly are steel.
- Other sizes and/or threads can be furnished and must be specified.
- Pressures to 350 psi (24 bar).
- Temperatures from -40°F to +350°F (-40°C to +177°C).
- Consult factory for other pressures and temperatures.
- Chain guard available upon request, must be specified.
- Rollers and roller mounting brackets are accessory items. Specify roller position.



**Series PB**  
Electric rewind shown



**Series DPB**  
Direct drive hydraulic rewind shown  
with optional Assembly C rollers

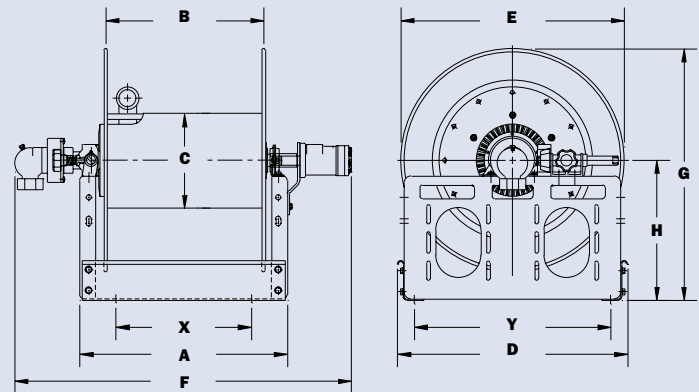
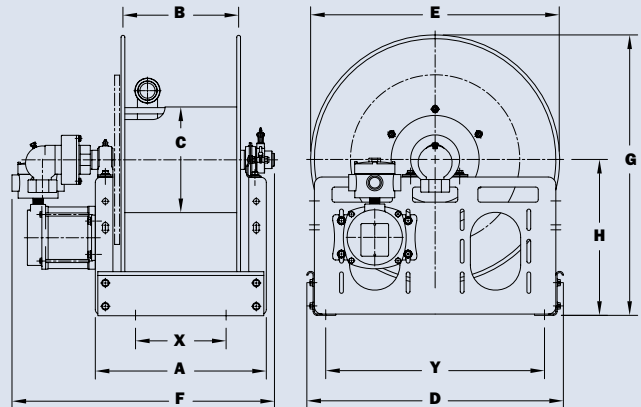
# Series PB/DPB

**PARTS DRAWING: ALUM. CONST. PRESSED FRAME – ISO 202; ALUM. SQUARE TUBE FRAME – ISO 204;  
STEEL CONST. PRESSED FRAME – ISO 18**

Model Number For Power Rewind see Note 4	Hose Capacity of Reel feet m			Approx. Weight Power Rewind lb. kg				Reel Dimensions*** in. mm										
	I.D. in. mm	1 25	1-1/2 38	Steel		Alum.		A	B	C	D	E	F POWER	F DIRECT DRIVE HYD	G	H	X	Y
	O.D. in. mm	1.5 38	2.16 55	NET	SHIP	NET	SHIP											
PB24-23-24	125	-	-	142	184	119	160	21	15.5	10.5	20.5	22.75	29.25	35.12	23.5	12.12	13	16.75
	38	-	-	64	83	54	72	533	394	267	521	578	743	892	597	308	330	425
PB30-23-24	150	-	-	155	197	124	165	27.5	22	10.5	20.5	22.75	35.75	41.62	23.5	12.12	19.5	16.75
	46	-	-	70	89	56	75	699	559	267	521	578	908	1057	597	308	495	425
PB26-25-26	150	-	-	155	197	137	178	23	17.5	10.5	25.5	24.75	31	37	27.88	15.5	15	21.75
	46	-	-	70	89	62	81	584	445	267	648	629	787	940	708	394	381	552
PB28-25-26	200	-	-	163	205	157	198	25.5	20	10.5	25.5	24.75	33.75	39.62	27.88	15.5	17.5	21.75
	61	-	-	74	93	71	90	648	508	267	648	629	857	1006	708	394	445	552
PB22-30-31	250	-	-	158	208	130	175	19	13.5	10.5	25.5	28.75	27.25	33.12	29.88	15.5	11	21.75
	76	-	-	71	94	59	79	483	343	267	648	730	692	841	759	394	279	552
PB18-33-34	200	-	-	157	207	146	194	14.5	9.5	10.5	31.5	31.75	23.75	29.12	33.62	17.75	7	27.75
	61	-	-	71	94	66	89	368	241	267	800	806	603	740	854	451	178	705
PB24-25-26-15.5	-	50	-	160	202	133	174	21	15.5	15.5	25.5	24.75	29.25	-	27.88	15.5	13	21.75
	-	15	-	64	91	60	79	533	394	394	648	629	743	-	708	394	330	552
PB28-25-26-15.5	-	75	-	173	215	159	200	25.5	20	15.5	25.5	24.75	33.75	-	27.88	15.5	17.5	21.75
	-	23	-	78	97	72	91	648	508	394	648	629	857	-	708	394	445	552
PB26-30-31-15.5	-	100	-	173	215	140	185	23	17.5	15.5	25.5	28.75	31.25	-	29.88	15.5	15	21.75
	-	30	-	78	97	63	84	584	445	394	648	730	794	-	759	394	381	552

**Notes:**

- Specifications subject to change.
- Upon request, reels can be supplied with drum lengths other than shown and with disc sizes in other diameters.
- Dimensions shown for reels up to and including 30-31 disc size reflect pressed frames. Reel sizes ending in (33-34) are built with rollform/ square tubing construction.
- When ordering power rewind models, prefix model number with:
  - A** = Air Rewind—Supplied with control valve and 25" air hose.
  - E** = Explosion-Proof Electric Rewind (2/3 HP) – Supplied with explosion-proof switch, solenoid, and junction box.
  - HD** = Hydraulic Rewind—Not supplied with control valve.
  - D** = Direct Drive Hydraulic Rewind—Not supplied with control valve.
 (When ordering **A**, **HD** & **D** power rewind reels deduct 20 lbs. from ship weight).
- Be sure to check dimensions and weights prior to ordering.**  
**NOTICE:** A flexible connector must be used between the inlet pipe and the inlet swivel joint.  
 \*\*\*X, Y indicate mounting holes.



# Series **PBGMB/PBGMT**

**To handle single 1" or 1-1/2" I.D. hose.**

- Standard hose reel is steel construction, painted graphite. Aluminum or stainless steel construction is available.
- "SB" prefix denotes polished aluminum construction, offering both reduced weight and superior corrosion resistance compared to standard steel construction.

**Both Series**

- Choose #40 chain and sprocket drive powered by an electric, hydraulic or compressed air motor or direct drive hydraulic rewind motor.
- Auxiliary crank rewind standard on Series DPB reels. Available on Series PB power rewind reels, at extra cost.
- Direct drive hydraulic rewind reels supplied with pinion brake. Electric powered rewind reels supplied with a strap brake.
- Other brake and locking devices may be specified. (See Ordering & Accessory Guide.)
- Standard inlet: 90° ball bearing swivel joint, 1-1/2" female NPT threads.
- Standard outlet: flanged riser, 1" female NPT threads.
- Standard inlet, outlet riser, hub assembly are steel.
- Other sizes and/or threads can be furnished and must be specified.
- Pressures to 350 psi (24 bar).
- Temperatures from -40°F to +350°F (-40°C to +177°C).
- Consult factory for other pressures and temperatures.
- Chain guard available upon request, must be specified.
- Refer to page 10 for more information on Guidemaster® shown.

**Series PBGMB**

- The Assembly B bottom wind roller is standard.

**Optional Guidemaster® EPS-1 Switch Cover**



Hannay Part No. 9917.0201. This cover is designed to protect against moisture and other contaminants and has a durable lanyard to keep the cover securely attached to the switch body.



**Series PBGMB with Bottom-Mounted Guidemaster®**  
Electric rewind shown



**Series SBPBGMB with Bottom-Mounted Guidemaster®**  
Polished Aluminum and electric rewind shown

**Series PBGMT/SBPBGMT with Guidemaster® Mounted on Top**

Prefix becomes "PBGMT" (steel construction) or "SBPBGMT" (aluminum construction).

See chart on Page 7.



# Series **PBGMB/PBGMT**

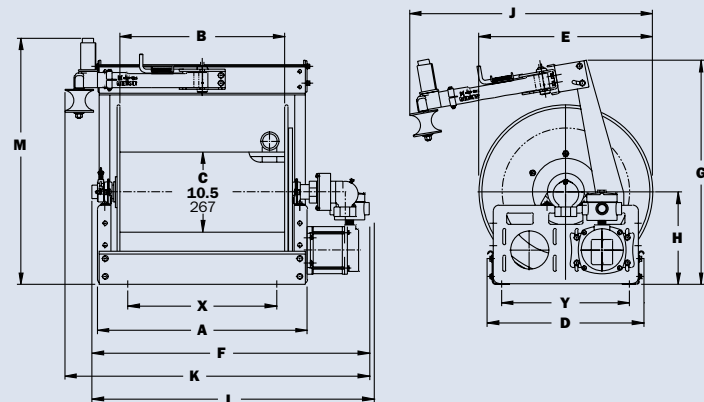
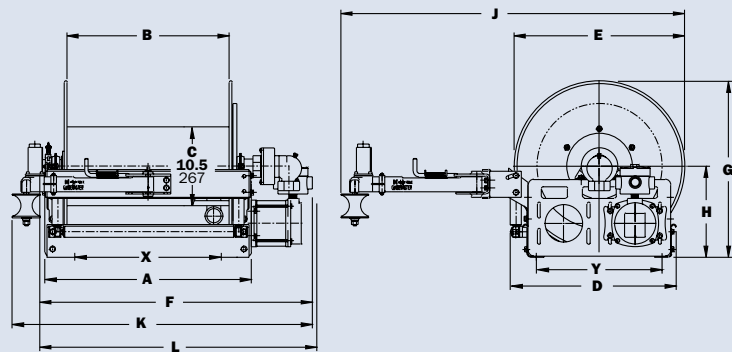
**PARTS DRAWING: BOTH SERIES PBGMB and SERIES PBGMT – ISO 202, 204 and ISO 195, 200**

Model Number For Power Rewind see Note 3	Hose Capacity of Reel feet m		Approx. Weight Power Rewind lb. kg		Reel Dimensions*** in. mm													
	I.D. in. mm	1 25	NET	SHIP	A	B	D	E	F	F	G	H	J	K	L	M	X	Y
	O.D. in. mm	1.5 38			POWER	DIRECT DRIVE HYD												
<b>PBGMB 24-23-24</b>	<b>125</b>	<b>160</b>	<b>185</b>	<b>21</b>	<b>15.5</b>	<b>20.5</b>	<b>22.75</b>	<b>29.25</b>	<b>35.12</b>	<b>23.5</b>	<b>12.12</b>	<b>49</b>	<b>36.75</b>	<b>30</b>	–	<b>13</b>	<b>16.75</b>	
	38	73	84	533	394	521	578	743	892	597	308	1245	933	762	–	330	425	
<b>PBGMB 30-23-24</b>	<b>150</b>	<b>170</b>	<b>200</b>	<b>27.5</b>	<b>22</b>	<b>20.5</b>	<b>22.75</b>	<b>35.75</b>	<b>41.62</b>	<b>23.5</b>	<b>12.12</b>	<b>49</b>	<b>36.75</b>	<b>36.75</b>	–	<b>19.5</b>	<b>16.75</b>	
	46	77	91	699	559	521	578	908	1057	597	308	1245	933	933	–	495	425	
<b>PBGMB 26-25-26</b>	<b>150</b>	<b>185</b>	<b>215</b>	<b>23</b>	<b>17.5</b>	<b>25.5</b>	<b>24.75</b>	<b>31.25</b>	<b>37.12</b>	<b>27.88</b>	<b>15.5</b>	<b>47.75</b>	<b>37.75</b>	<b>31</b>	–	<b>15</b>	<b>21.75</b>	
	46	84	98	584	445	648	629	794	943	708	394	1213	959	787	–	381	552	
<b>PBGMB 28-25-26</b>	<b>200</b>	<b>191</b>	<b>221</b>	<b>25.5</b>	<b>20</b>	<b>25.5</b>	<b>24.75</b>	<b>33.75</b>	<b>39.62</b>	<b>27.88</b>	<b>15.5</b>	<b>47.75</b>	<b>39</b>	<b>34.75</b>	–	<b>17.5</b>	<b>21.75</b>	
	61	87	100	648	508	648	629	857	1006	708	394	1213	991	883	–	445	552	
<b>PBGMB 22-30-31</b>	<b>250</b>	<b>188</b>	<b>238</b>	<b>19</b>	<b>13.5</b>	<b>25.5</b>	<b>28.75</b>	<b>27.25</b>	<b>33.12</b>	<b>29.88</b>	<b>15.5</b>	<b>52.25</b>	<b>35.75</b>	<b>29</b>	–	<b>11</b>	<b>21.75</b>	
	76	85	108	483	343	648	730	692	841	759	394	1327	908	737	–	279	552	
<b>PBGMB 18-33-34</b>	<b>200</b>	<b>175</b>	<b>225</b>	<b>14.5</b>	<b>9.5</b>	<b>31.5</b>	<b>31.75</b>	<b>23.75</b>	<b>29.12</b>	<b>33.62</b>	<b>17.75</b>	<b>56.75</b>	<b>33.5</b>	<b>26.75</b>	–	<b>7</b>	<b>27.75</b>	
	61	79	102	368	241	800	806	603	740	854	451	1441	851	679	–	178	705	
<b>PBGMT 24-23-24</b>	<b>125</b>	<b>168</b>	<b>193</b>	<b>21</b>	<b>15.5</b>	<b>20.5</b>	<b>22.75</b>	<b>29.25</b>	<b>35.12</b>	<b>29.5</b>	<b>12.12</b>	<b>33</b>	<b>36.75</b>	<b>30</b>	<b>31.5</b>	<b>13</b>	<b>16.75</b>	
	38	76	88	533	394	521	578	743	892	749	308	838	933	762	800	330	425	
<b>PBGMT 30-23-24</b>	<b>150</b>	<b>178</b>	<b>208</b>	<b>27.5</b>	<b>22</b>	<b>20.5</b>	<b>22.75</b>	<b>35.75</b>	<b>41.62</b>	<b>29.5</b>	<b>12.12</b>	<b>33</b>	<b>40.62</b>	<b>36.75</b>	<b>31.5</b>	<b>19.5</b>	<b>16.75</b>	
	46	81	94	699	559	521	578	908	1057	749	308	838	1032	933	800	495	425	
<b>PBGMT 26-25-26</b>	<b>150</b>	<b>193</b>	<b>223</b>	<b>23</b>	<b>17.5</b>	<b>25.5</b>	<b>24.75</b>	<b>31.25</b>	<b>37.12</b>	<b>32.88</b>	<b>15.5</b>	<b>33.25</b>	<b>37.75</b>	<b>31</b>	<b>37.25</b>	<b>15</b>	<b>21.75</b>	
	46	88	101	584	445	648	629	794	943	835	394	845	959	787	946	381	552	
<b>PBGMT 28-25-26</b>	<b>200</b>	<b>181</b>	<b>211</b>	<b>25.5</b>	<b>20</b>	<b>25.5</b>	<b>24.75</b>	<b>33.75</b>	<b>39.62</b>	<b>33</b>	<b>15.5</b>	<b>34</b>	<b>39</b>	<b>34.75</b>	<b>35</b>	<b>17.5</b>	<b>21.75</b>	
	61	82	96	648	508	648	629	857	1006	838	394	864	991	883	889	445	552	
<b>PBGMT 22-30-31</b>	<b>250</b>	<b>196</b>	<b>246</b>	<b>19</b>	<b>13.5</b>	<b>25.5</b>	<b>28.75</b>	<b>27.25</b>	<b>33.12</b>	<b>36.13</b>	<b>15.5</b>	<b>35.5</b>	<b>35.75</b>	<b>29</b>	<b>42.5</b>	<b>11</b>	<b>21.75</b>	
	76	88	112	483	343	648	730	692	841	918	394	902	908	737	1080	279	552	
<b>PBGMT 18-33-34</b>	<b>200</b>	<b>183</b>	<b>233</b>	<b>14.5</b>	<b>9.5</b>	<b>31.5</b>	<b>31.75</b>	<b>23.75</b>	<b>29.12</b>	<b>38.375</b>	<b>17.75</b>	<b>37</b>	<b>38.38</b>	<b>26.38</b>	<b>44.75</b>	<b>7</b>	<b>27.75</b>	
	61	83	106	368	241	800	806	603	740	975	451	940	975	670	1137	178	705	

**Notes:**

- Specifications subject to change.
  - Upon request, reels can be supplied with drum lengths other than shown and with disc sizes in other diameters.
  - When ordering power rewind models, prefix model number with:
    - A** = Air Rewind—Supplied with control valve and 25" air hose.
    - E** = Explosion-Proof Electric Rewind (2/3 HP)—Supplied with explosion-proof switch, solenoid, and junction box.
    - HD** = Hydraulic Rewind—Not supplied with control valve.
    - D** = Direct Drive Hydraulic Rewind—Not supplied with control valve.

(When ordering **A**, **HD** & **D** power rewind reels deduct 20 lbs. from ship weight).
  - Dimension "J" is maximum, with Guidemaster® in operating position. Dimension "K" is maximum, with Guidemaster® in traveling position opposite rewind motor, as shown in dimensional drawing.  
Dimension "L" is maximum, with Guidemaster® in traveling position on same side as rewind motor.
  - Guidemaster® weight is approximately 21 lbs. Guidemaster® is shipped as parts.
  - Be sure to check dimensions and weights prior to ordering.**
  - Consult factory for reels using 1-1/2" I.D. hose.
- NOTICE:** A flexible connector must be used between the inlet pipe and the inlet swivel joint.  
\*\*\*X, Y indicate mounting holes.



# Series PBM

**To handle 1" through 1-1/2" I.D. liquid hose and 1/2" through 1" I.D. vapor hose.**

- Standard hose reel is steel construction, painted graphite. Aluminum or stainless steel construction is available.
- "SB" prefix denotes polished aluminum construction, offering both reduced weight and superior corrosion resistance compared to standard steel construction.
- Gear-driven crank on vapor reel.
- #40 chain and sprocket drive powered by an electric, hydraulic or compressed air motor liquid reel.
- Pinion shaft brake standard.
- Other locking devices may be specified.
- Standard inlet: 90° ball bearing swivel joint, 1-1/2" female NPT threads.
- Manual rewind reel: 1" female NPT 90° ball bearing swivel joint.
- Liquid reel: flanged riser, 1" female NPT threads.
- Vapor reel: riser, 1" female NPT threads.
- Standard inlet, outlet riser, and hub assembly are steel.
- Other sizes and/or threads can be furnished and must be specified.
- Rollers and roller mounting brackets are accessory items. Specify roller position.
- Pressures to 350 psi (24 bar).
- Temperatures from -40°F to +350°F (-40°C to +177°C).
- Consult factory for other pressures and temperatures.
- Chain guard available upon request, must be specified.



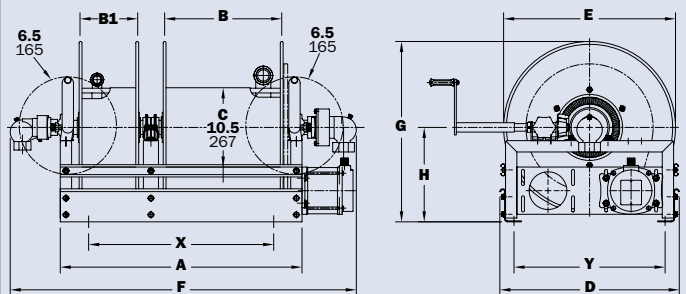
**Series PBM**  
Top wind configuration,  
electric rewind shown

**PARTS DRAWING – ISO 123**

Model Number For Power Rewind see Note 3	Hose Capacity of Reel feet m				Approx. Weight lb. kg		Reel Dimensions*** in. mm										
	I.D. in. mm	Liquid Reel		Vapor Reel		NET	SHIP	A	B	B1	D	E	F POWER	G	H	X	Y
		1 25	1/2 13	3/4 19	1 25												
<b>PBM 24-16-23-24</b>	<b>125</b> 38	<b>175</b> 53	<b>80</b> 24	<b>75</b> 23	<b>173</b> 78	<b>218</b> 99	<b>32</b> 813	<b>15.5</b> 394	<b>7.5</b> 191	<b>23.75</b> 603	<b>23</b> 584	<b>46.25</b> 1175	<b>23.88</b> 607	<b>12.5</b> 318	<b>24.5</b> 622	<b>20</b> 508	
<b>PBM 30-16-23-24</b>	<b>150</b> 46	<b>175</b> 53	<b>80</b> 24	<b>75</b> 23	<b>274</b> 124	<b>319</b> 145	<b>38.5</b> 978	<b>22</b> 559	<b>7.5</b> 191	<b>23.75</b> 603	<b>23</b> 584	<b>52.75</b> 1340	<b>23.88</b> 607	<b>12.5</b> 318	<b>31</b> 787	<b>20</b> 508	
<b>PBM 28-16-25-26</b>	<b>200</b> 61	<b>225</b> 69	<b>100</b> 30	<b>75</b> 23	<b>279</b> 127	<b>324</b> 147	<b>36.5</b> 927	<b>20</b> 508	<b>7.5</b> 191	<b>25.5</b> 648	<b>24.75</b> 629	<b>50.75</b> 1289	<b>25.88</b> 657	<b>13.5</b> 343	<b>29</b> 737	<b>21.75</b> 552	

**Notes:**

1. Specifications subject to change.
  2. Upon request, reels can be supplied with drum lengths other than shown and with disc sizes in other diameters.
  3. When ordering power rewind models, prefix model number with:
    - A** = Air Rewind–Supplied with control valve and 25" air hose.
    - E** = Explosion-Proof Electric Rewind (2/3 HP)–Supplied with explosion-proof switch, solenoid, and junction box.
    - HD** = Hydraulic Rewind–Not supplied with control valve.
 (When ordering **A**, **HD** & **D** power rewind reels deduct 20 lbs. from ship weight).
  4. **Be sure to check dimensions and weights prior to ordering.**
- NOTICE:** A flexible connector must be used between the inlet pipe and the inlet swivel joint.
- \*\*\*X, Y indicate mounting holes.



# Series **SPBN800/SPB800**

**To handle 3/4" or 1" I.D. hose.**

- Standard hose reel is steel construction, painted graphite. Stainless steel construction is available.
- **SPB800 only:** Aluminum construction is also available. "SB" prefix denotes polished aluminum construction, offering both reduced weight and superior corrosion resistance compared to standard steel construction.
- Rollformed frame for heavy-duty applications must be specified.
- Non-sparking ratchet locks reel, and declutching arbor prevents damage from reverse winding.
- Standard inlet: 90° ball bearing swivel joint, 1" female NPT threads. Standard outlet: 1" female NPT threads. Other sizes and/or threads can be furnished and must be specified.
- Pressures to 350 psi (24 bar). Temperatures from -40°F to +350°F (-40°C to +177°C). Consult factory for other pressures and temperatures.
- Supplied 4-way roller assembly. Specify roller position.



**Series SPBN800**  
Top wind configuration shown



**Series SPB800**  
Standard configuration shown

**PARTS DRAWING: SERIES SPBN800 – ISO 81; SERIES SPB800 – ISO 42**

Model Number	Hose Capacity of Reel feet m				Approx. Weight lb. kg		Roller Assy Supplied on Std. Models	Reel Dimensions*** in. mm									
	I.D. in. mm	1/2 13	3/4 19	1 25	NET	SHIP		A	B	C	D	E	F	G	H	X	Y
	O.D. in. mm	.94 24	1.25 33	1.5 40													
SPBN816-19-20-10.5J	35	25	15	75	98	N204	10	4	10.5	12	20.75	16.12	20	10.62	8	10	
	11	8	5	34	44		254	102	267	305	527	409	508	270	203	254	
SPBN816-23-24-10.5J	50	50	25	87	116	N204	10	4	10.5	12	24	16.12	24	12.62	8	10	
	15	15	8	39	53		254	102	267	305	610	409	610	321	203	254	
SPBN816-25-26-10.5B	65	60	35	96	131	N204	10	4	10.5	12	25.5	16.12	26	13.62	8	10	
	20	18	11	44	59		254	102	267	305	648	409	660	346	203	254	
SPBN818-25-26-10.5B	60	70	50	102	137	N206	12	6	10.5	12	25.5	18.12	26	13.62	10	10	
	18	21	15	46	62		305	152	267	305	648	460	660	346	254	254	
SPB816-19-20-10.5J	35	25	15	75	98	R204	9.25	4	10.5	20.5	18.75	16.88	19.75	10.38	4.5	14.75	
	11	8	5	34	44		235	102	267	521	476	429	502	264	114	375	
SPB816-23-24-10.5J	50	50	25	87	116	R204	9.25	4	10.5	24.5	22.75	16.88	23.88	12.5	4.5	20	
	15	15	8	39	53		235	102	267	622	578	429	607	318	114	508	
SPB816-25-26-10.5B	65	60	35	96	131	R204	9.25	4	10.5	26.25	24.75	16.88	25.88	13.5	4.5	21.75	
	20	18	11	44	59		235	102	267	667	629	429	657	343	114	552	
SPB818-25-26-10.5B	60	70	50	102	137	R206	11.25	6	10.5	26.25	24.75	18.88	25.88	13.5	6.5	21.75	
	15	15	8	39	53		286	152	267	667	629	480	657	343	165	552	
SPB816-30-31-15.5G	110	75	40	124	159	R204	9.25	4	15.5	30.5	28.75	16.88	31.38	17	4.5	25.25	
	34	23	12	56	72		235	102	394	775	730	429	797	432	114	614	
SPB820-25-26-10.5A	75	85	75	131	166	R308	13.25	8	10.5	27	24.75	21.62	25.88	13.5	8.5	21.75	
	23	26	23	59	75		337	203	267	686	629	549	657	343	216	552	
SPB820-30-31-15.5A	75	100	100	137	172	R308	13.25	8	15.5	30.5	28.75	21.62	31.38	17	8.5	25.25	
	23	30	30	62	78		337	203	394	775	730	549	797	432	216	641	

**Notes:**

1. Specifications subject to change.
2. Others sizes, from standard components, available on request.
3. For optional locations of joint and spring motor placement – consult factory.

4. Be sure to check dimensions and weights prior to ordering.

**NOTICE:** A flexible connector must be used between the inlet pipe and the inlet swivel joint.  
\*\*\*X, Y indicate mounting holes.

**Available Roller Positions**



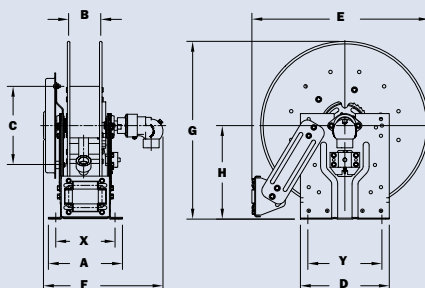
SR (STD)



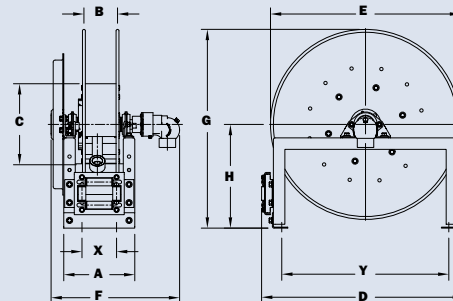
VR (OPT)



TR (OPT)



Series SPBN800 - Narrow Frame



Series SPB800 - Rollformed Frame

# Accessories

• GM-X Guidemaster® • FH-3 Roller and Spool Assembly

## GM-X Guidemaster®

### Multiposition hose guide with explosion-proof rewind control

The Guidemaster® helps unwind and rewind hose faster, easier, and with less damage to the hose. Five positive locking positions let the operator pull the hose out and away from sharp corners of cabinet or deck. An explosion-proof, push-button switch in the Guidemaster® handle lets the operator control the rewind motor and guide the hose on the reel in neat, uniform coils.

**Construction:** Grade 303 SST welded main body with black powder coat finish, wear-resistant Zamak 3 (zinc alloy) rollers and bearings on the top and bottom of the yolk with dust caps to limit dust and dirt intrusion. Switch has Class 1, Division 1 (Groups C & D) classification.

### The Guidemaster® can be ordered in 3 ways:

1. Guidemaster® only, supplied with 4 mounting bolts and ready to be attached to your mounting brackets.
2. Guidemaster® and brackets, includes steel mounting bracket, beveled spacers, and fasteners designed for your reel. Ready to install. Specify top- or bottom-wind.
3. Guidemaster® mounting brackets factory installed. Specify top- or bottom-wind.

**To Order:** For factory installation of mounting bracket, Guidemaster® should be ordered when you order the reel. When purchasing Guidemaster® for installation on your present reel, give the complete model number and serial number of your reel and the complete part number of the Guidemaster®.

### Circuit breaker must be used with all DC electric motors.

**Note:** This Guidemaster® can be used with reels up to a maximum drum width (or B dimension) of 22". Operates with up to a 2.16" O.D. hose.



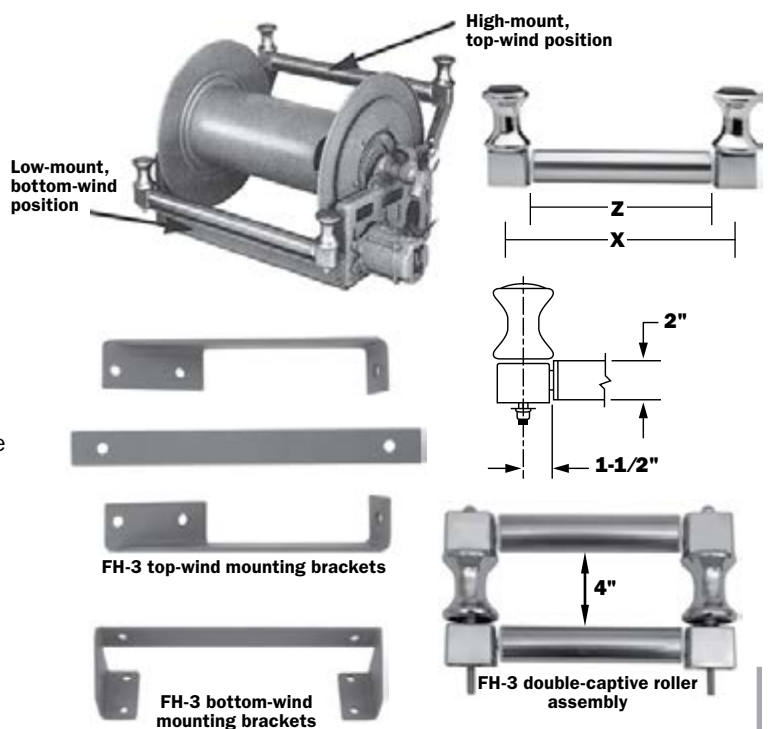
## FH-3 Roller and Spool Assembly

### Not recommended for hoses larger than 1-1/2" I.D.

Speeds handling and reduces hose wear. Buffed stainless steel rollers resist corrosion, pitting, and abrasion. Polished, chrome-plated spools and blocks add lasting beauty to your equipment. Delrin bearing surfaces assure quiet operation and minimum wear.

Assembly can be factory installed, when specified, or ordered for field installation on reels or other equipment.

**To Order:** For factory installation, specify FH-3 Assembly and indicate position on reel. As an accessory, specify FH-3 Assembly and give length of roller (Dimension Z), and distance between mounting holes (Dimension X). Mounting brackets are available.



# Hose Reel **Spec Worksheet**

To specify Hannay reels, fill out this simple form and mail, fax or email it to your dealer.  
Photocopy this page or download and print from hannay.com

## 1. Who is the reel for?

Contact		Date / /	
Company		Position	
Street Address			
City	State	Zip	Country
Phone ( )	Fax ( )	Email	

## 2. What is the reel for?

**HOSE** (check one):  Storage only  Live Single hose  Live Dual hose

Inside diameter:	Hose length:	Bend radius:	Flat hose dimensions:
Outside diameter:	Hose weight:	Coupling spacing:	

Type of product handled live application (check one):

<input type="radio"/> Liquid (specify):	<input type="radio"/> Temperature:	<input type="radio"/> Oxygen/Acetylene:	<input type="radio"/> Other (specify):
<input type="radio"/> Gases (specify):	<input type="radio"/> Pressure:	<input type="radio"/> Hydraulic fluid (specify):	

Fluid path type (check one):  Steel (standard)  Aluminum  Stainless Steel  Other

Reel inlet type (check one):  Swivel joint 90° (standard)  Straight

Reel outlet type (riser): Size:

Thread (check one):	<input type="radio"/> National Pipe Thread (NPT)	<input type="radio"/> Joint Industry Committee (JIC)	<input type="radio"/> Other (specify):
	<input type="radio"/> National Standard Thread (NST)	<input type="radio"/> British Standard Pipe (BSP)	

Indicate your custom specifications

## 3. What features does the reel need? Check type of rewind:

**MANUAL REWIND**

Disc rewind (hand over hand)  Gear-driven crank  Direct crank (permanent or removable)  Chain-driven crank

**POWER REWIND**

Spring  Air  Electric (voltage):  Hydraulic

Type of installation (check one):  Floor  Wall  Overhead  Vehicle

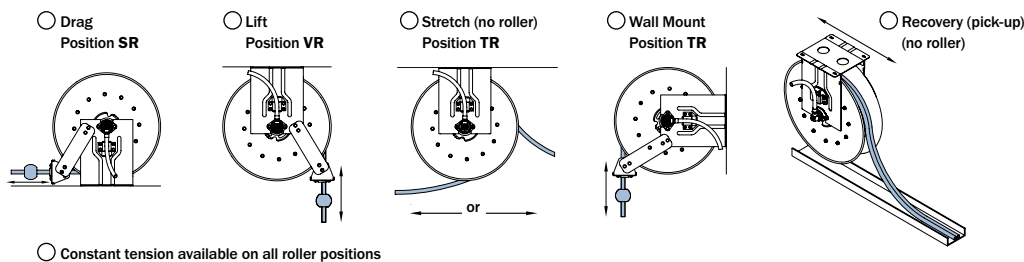
Temperature Range: Environment:

Accessories (if any): Hose Stop:  Yes  No

Roller Assemblies:

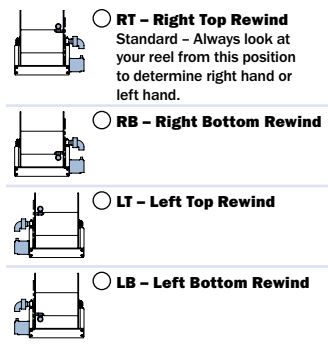
Finish:  Painted steel (standard)  Aluminum  Polished  Unpolished  Stainless steel  Polished  Unpolished

### Check type of installation and roller position for spring reels:



## 4. Specifying Location of Components

**Optional Location of Components:**  
Location of the inlet, outlet riser, and rewind mechanism can be varied to meet your requirements and **must be specified on your order**. Unless otherwise specified, most reels will be shipped as **Right Top Rewind** with the inlet, outlet riser, and rewind mechanism on the operator's right.



**Note:** Use component location initials as suffix after model number (ie: EPB24-25-26 LT)

## 5. Please note size and/or weight limitations for your installation

**SPECIFICATIONS**

Depth: \_\_\_\_\_

Height: \_\_\_\_\_

Width: \_\_\_\_\_

Weight: \_\_\_\_\_

**For custom applications not found in our catalogs, call the Inside Sales Group at 518-797-3791.**

# You Can't Buy A Better Reel.

## Find reels for every need.

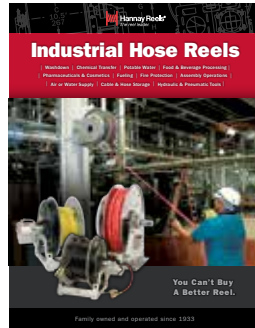
Learn more about all of our reels, including specs, drawings, and even how to select the right reels and accessories for your industry.



### Ordering & Accessory Guide

#### Learn more about:

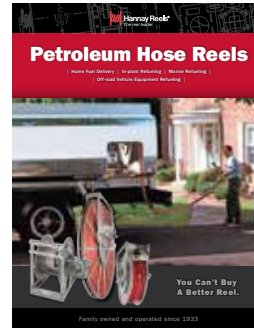
- Selecting the right reel
- Reel components
- Available accessories
- How to spec and order reels and accessories
- Ordering options
- Hannay Reels policies



### Industrial Hose Reels

#### Includes specs and information on:

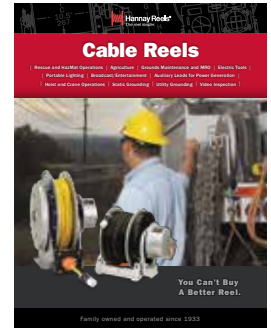
- High pressure spring rewind reels
- Compact manual rewind reels
- Power rewind reels
- Portable storage reels
- Hose assemblies



### Petroleum Hose Reels

#### Comprehensive information on:

- Manual or power rewind reels
- Power rewind reels for inverted installation
- Single wrap power rewind reels
- Guide for inverted installation



### Cable Reels

#### Find out more about:

- Manual or power rewind reels
- Storage reels
- Reels for live electric cable
- Portable reels
- Static and truck grounding reels

View all our reel catalogs online at [hannay.com](http://hannay.com)



Family owned and operated since 1933, Hannay Reels is the world leader in both OEM and aftermarket applications. Hannay offers thousands of standard hose reel and cable reel models, as well as unmatched custom capabilities. We can easily and affordably customize a reel to meet your exact specifications – built to last, delivered fast. Additional catalogs are available through your local Hannay Reels dealer or online at [hannay.com](http://hannay.com).



553 State Route 143 | Westerlo, New York 12193  
Email: [reels@hannay.com](mailto:reels@hannay.com) | [hannay.com](http://hannay.com)



All Hannay reels are constructed of quality heavy gauge steel (optional aluminum or stainless steel also available on most models).

Phone: **518-797-3791**  
Toll Free: **1-877-467-3357**

Domestic FAX: **1-800-733-5464**  
International FAX: **518-797-3259**

Form H-0506-LP REV 8-21