

C
10.5"
267



Hannay Reels®
The reel leader.

Spray and Pressure Washing Hose Reels

Pressure Washing	Steam Cleaning	Spray Operations	Washdown	Maintenance
Auto Washing	Processing Plants	Grounds Maintenance	Pest Control	Tree Spraying
Vehicle Maintenance	Lawn Care Service	Agriculture		



**You Can't Buy
A Better Reel.**

Family owned and operated since 1933

CONTENTS

Hannay hose reels come in all sizes and capacities.

Reel Type	Page
Hannay Reels Sales Policies	3
Manual Pressure Washing Hose Reels	
Series PW-2 and Optional Mounting Kits	4
Spring Rewind Reels	
Series N700	5
Compact Manual Rewind Reels	
Series 1000	6
Portable Reels on Wheels	
Series 1100/AT1200	7
Manual or Power Rewind Reels	
Series 1500	8
Series 1800	9
Series 2000 (Dual Hose)	10
Series 4000	11
Series 6000	12-13
Remote Controlled Power Rewind Reels	
Series RM	14
Hose Reel Spec Worksheet	15



Only one reel can handle the pressure.

From fertilizing lawns to steam cleaning sidewalks to washing down equipment, you need durable, long-lasting equipment to get the job done. Use our reels to keep hoses organized and out of the way to prevent accidents, and to ensure quicker deployment and pick-up, so you can move to the next job site faster.

We offer thousands of standard reels – or can create custom designs – that are built strong to last long, require minimal maintenance, and provide a lifetime of value. Every reel we make is designed and built of the highest quality materials specifically for your industry and to your exact specs – never retrofitted to the job – so you can expect unsurpassed fit and function.

Uses:

- Pressure washing
- Steam cleaning
- Spray operations
- Washdown
- Grounds maintenance
- Auto washing
- Pest control
- Tree spraying



Mounting Hole Sizes	
N Series Reels	7/16" wide x 7/8" long slot running front to back
Pressed Frame Reels and Channel Framed Reels	7/16" wide x 7/8" long slot running left to right
Series 1000	7/16" wide x 1-7/16" long slot
Series 1500, 1800, 2000, 4000	13/32" round holes

Hannay Reels **Sales Policies**

Hannay Reels 3-Year Limited Warranty

Products manufactured by Hannay Reels, Inc. (“Hannay”) are warranted for 3 years from date of shipment when properly installed, maintained, and operated in accordance with Hannay instructions. In no event will Hannay have a warranty obligation for normal wear and tear, or for products that have, at Hannay’s determination, been subjected to accident, abuse, misapplication, improper installation or improper maintenance. Common examples of normal wear and tear would include paint finish, swivel joint seal wear, and switch or motor brush wear.

Hannay makes no warranties, express or implied, other than those included in this warranty statement, and we disclaim any implied warrant of merchantability or fitness for any particular purpose. Hannay will not be liable for any consequential, incidental, or indirect damages from any cause whatsoever.

Failure to use a flexible inlet connection on any live hose reel will void the swivel joint warranty. Failure to use a properly sized circuit breaker with any electric rewind motor will void the electric motor warranty. Failure to use a filter and lubricator on any air rewind motor will void the air motor warranty. Failure to follow all procedures outlined in the Safety Guidelines document will void the warranty.

Components not manufactured by Hannay will be subject to the original manufacturers’ warranties. Examples of such components include: hose and cable, motors, speed controls, and switches, swivel joints and seals, slip ring and brush assemblies.

Equipment which proves to be defective upon our inspection will be replaced free of charge, including freight to the customer. Our responsibility ceases upon delivery to any common carrier and we do not, unless previously instructed, insure shipments beyond point of delivery to such carrier. **No material will be accepted for return without a return goods authorization (RGA).** This warranty extends to the replacement or repair of the reel or part (no labor).

Hannay reserves the right to modify or alter materials, dimensions, design, and construction when necessary to improve the performance of the reel and/or accessories, or to meet delivery requirements.

Notice on Reel Finish

Standard finish on Hannay reels is a high performance modified acrylic enamel paint. Standard color is metallic graphite. Other colors available at no additional cost include red, white, black, and primer.

Most of the major components on standard reels are e-coated prior to receiving final topcoat paint finish. This combination of e-coat and enamel topcoat will meet the finish requirements of most customer applications and environments.

In cases where requirements cannot be met with the standard finish, Hannay Reels can coat any model reel with an automotive primer, allowing application of final coating at your facility. Alternatively, Hannay Reels can provide a quote for matching a customer-provided paint specification. For further information, please contact your Hannay Reels sales engineer and a special paint request form will be sent to you.

For environments where no paint finish is suitable, we offer both aluminum and stainless steel (304 grade) construction on most reel models.

Return Goods Policy

All Hannay reels are built to order. These orders are typically placed into production within 1 business day of receipt. Once production begins, it may not be possible to cancel the order.

To prevent returns because the wrong reels or parts were ordered, please use the Hannay Reels Spec Worksheet (either online or from our Order Accessory Guide) when specifying reels. Be sure to include any size, weight, pressure and/or material compatibility limitations for the application.

In the event that an item does need to be returned for credit, repair or replacement, prior approval must be obtained from Hannay Reels. Upon your request, we will send a Return Goods

Authorization (RGA) form. A signed copy of this form must accompany the material when returned to us, with the RGA number clearly showing on the outside of the box—a label is provided to you that you can print and attach. No product will be accepted for return or credit without an authorized RGA number.

All material must be returned prepaid, unless otherwise noted on our RGA. No return will be accepted that has been damaged due to improper return packaging, tampered with or altered from its original condition. Our restocking and handling fee is a minimum of 25% for standard catalog reels and parts. Custom reels specially built to customer specifications cannot be returned for any reason.

Series PW-2

- Pressure Washing • Steam Cleaning • Spray Operations • Washdown
- Optional Mounting Kits

To handle single 3/8" or 1/2" I.D. hose.

- Permanent direct crank rewind, with adjustable split bearing brake assembly.
- Standard inlet: full flow swivel joint with 1/2" NPT fitting.
- Standard outlet: 1/2" female NPT fitting, supplied with 1/2" MNPT to 3/8" FNPT reducing bushing. Other sizes and/or threads available, must specify.
- Pressures up to 5000 psi (345 bar). Flow rate of over 12 gpm @ 15 fps.
- Temperatures from +32° F to +400° F (0° C to +204° C). Consult factory for other temperatures.
- Captive (4-sided) hose guide roller assembly.
- Black powder coated finish.
- Optional stainless steel construction and internals – consult factory.



PW-2 Series
Optional PWK-200 mounting kit shown

Optional Mounting Kits

Wall, floor, pivoting and non-pivoting options are available. Combination kits also available depending on installation. Must specify mounting position when ordering mounting kits (kits include hardware). Universal mounting pattern (2.75" x 5").

PWK-200 – Rigid (non-pivoting) wall mounting. Floor mounting available, consult factory.

PWK-300 – Mounting to 1" round tubing. Other tubing (round or square) sizes available, consult factory.

PWK-400 – Wall mounting - ability to pivot the reel. Includes pivoting platform, knob, and mounting hardware. (Mounting hole pattern: 2.75" x 2.75").



Optional PWK-400 kit – wall installation shown

Optional PWK-400/300 combo kit – vertical tube installation shown

PARTS DRAWING – ISO 193

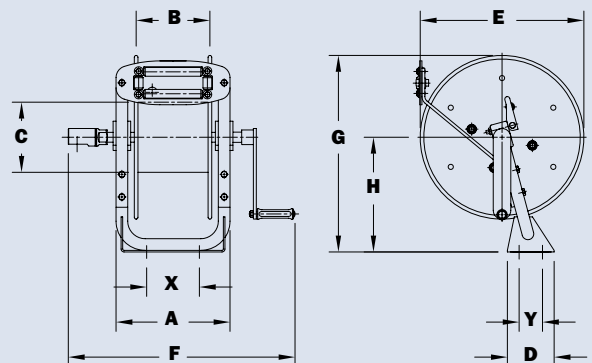
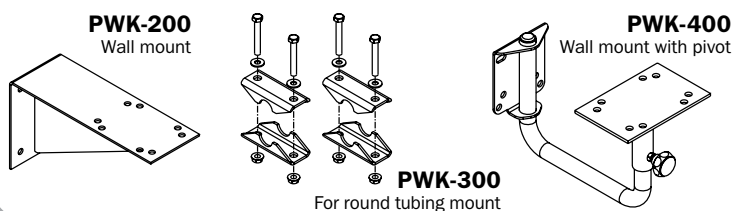
Model Number	Hose Capacity of Reel feet m			Approx. Weight Crank Rewind lb. kg			Reel Dimensions*** in. mm									
	I.D. in. mm	3/8 10	1/2 13	NET	UPS/ FedEx SHIP Wt.	Freight SHIP Wt.	A	B	C	D	E	F	G	H	X	Y
	O.D. in. mm	3/4 19	7/8 22				9	6	6	4	16.75	17	18.25	10	5	2.75
PW-2		125 38	75 23	26 12	58* 26	32 15	229	152	152	102	425	432	464	254	127	70

Notes:

1. Specifications subject to change.
2. **Finish:** Refer to page 3.
3. **Be sure to check dimensions and weights prior to ordering.**

NOTICE: A flexible connector must be used between the inlet pipe and the inlet swivel joint.
* When shipped as a parcel package (via FedEx or UPS Ground).
*** X, Y indicate mounting holes. See page 2.

MOUNTING KITS



Series N700

- Lubrication • Air/Water • Washdown
- Air Tools • General Industrial Applications

To handle 1/4" through 1/2" I.D. hose.

- Narrow frame and compact mounting base.
- Non-sparking ratchet assembly.
- Decutching arbor to prevent damage from reverse winding.
- Standard inlet: 90° balanced pressure swivel joint, 1/2" female NPT threads.
- Standard outlet: 1/2" female NPT threads.
- Standard pressures to 3000 psi (207 bar), available up to 10,000 psi (690 bar) – must specify.
- Temperatures from -40° F to +400° F (-40° C to +204° C).
- 4-way roller assembly.
- SR and VR roller positions: swivel joint is standard on the right. TR roller positions: swivel joint is standard on the left. Other configurations available, must specify.
- Constant tension is available – consult factory.



Standard configuration shown



Optional Swivel Mounting Bracket

Part No. 9908.9990. For N-Series spring retractable reels, available as a kit. Conditions apply, consult factory.

PARTS DRAWING – ISO 79

Model Number	Hose Capacity of Reel feet m				Approx. Weight lb. kg			Standard Roller Assy.	Reel Dimensions*** in. mm							
	I.D. in.	1/4	3/8	1/2	NET	UPS/ FedEx SHIP Wt.	Freight SHIP Wt.		A	B	C	E	F	G	H	X
	mm	6	10	13												
N716-14-16-8C	-	25	25	52	64*	87	N204	10	4	8	18.12	11.625	16.12	9.12	8	
	-	8	8	24	29	39		254	102	203	460	295	409	232	203	
N716-16-17-10.5C	-	35	35	55	69*	90	N204	10	4	10.5	19	11.625	17	9.12	8	
	-	11	11	25	31	41		254	102	267	483	295	432	232	203	
† N716-17-18-8L	-	50†	50†	55	68*	90	N204	10	4	8	19.5	11.625	17.38	9.12	8	
	-	15†	15†	25	31	41		254	102	203	495	295	441	232	203	
N716-19-20-10.5J	-	50	50	64	82*	99	N204	10	4	10.5	20.75	11.625	20	10.62	8	
	-	15	15	29	37	45		254	102	267	527	295	508	270	203	
N716-23-24-15.5J	-	65	65	79	94*	114	N204	10	4	15.5	24	11.625	24	12.62	8	
	-	20	20	36	43	52		254	102	394	610	22.75	610	321	203	
N716-23-24-15.5G	100	75	65	94	101*	129	N204	10	4	15.5	24	11.625	24	12.62	8	
	30	23	20	43	46	59		254	102	394	610	295	610	321	203	
N716-25-26-15.5B	-	75	75	90	-	125	N204	10	4	15.5	25.5	11.625	26	13.62	8	
	-	23	23	41	-	57		254	102	394	648	295	660	346	203	
N718-25-26-15.5G	-	100	100	96	-	131	N206	12	6	15.5	25.5	13.625	26	13.62	10	
	-	30	30	44	-	59		305	152	394	648	346	660	346	254	

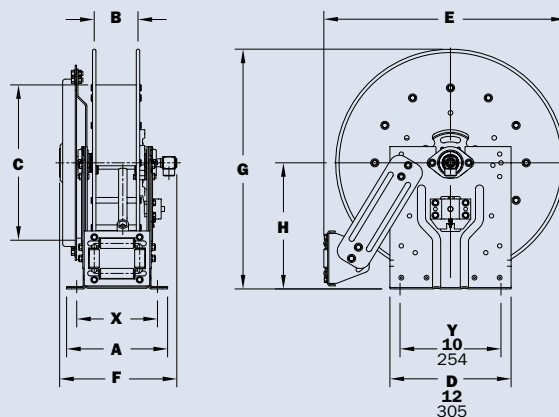
Notes:

A hose stop is necessary to keep spring from unwinding.

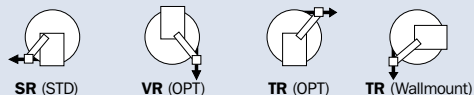
1. Specifications subject to change.
2. Reel models and capacities shown are for standard drag applications; for vertical lift applications, consult factory.
3. Other sizes, from standard components, available on request.
4. **Finish:** Refer to page 3.

5. Be sure to check dimensions and weights prior to ordering.

NOTICE: A flexible connector must be used between the inlet pipe and the inlet swivel joint.
 * Dimensional weight may apply when shipped as a parcel package (via FedEx or UPS Ground).
 *** X, Y indicate mounting holes. See page 2.
 † Capacity based on low pressure air hose only. Not for vertical lift applications.



Available Roller Positions



Series 1000

- Pressure Washing • Washdown
- Spray Operations • Air

To handle single 1/4", 3/8" or 1/2" I.D. hose.

- Lightweight, compact with an e-coated frame.
- Direct crank rewind permanently attached.
- Adjustable cam-lock brake standard.
- Exterior mounting holes for easier installation.
- Redesigned (and field installable) pin lock.
- Standard inlet: 90° ball bearing swivel joint, 1/2" female NPT threads.
- Standard outlet: 3/8" female NPT threads, 1/2" available upon request.
- Standard pressures to 3000 psi (207 bar), available up to 5,000 psi (345 bar) – must specify.
- Temperatures from +32° F to +400° F (0° C to +204° C).



Standard configuration shown with optional pin lock

PARTS DRAWING – ISO 165

Model Number	Hose Capacity of Reel feet m				Approx. Weight Crank Rewind lb. kg			Reel Dimensions*** in. mm			
	I.D. in. mm	1/4 6	3/8 10	1/2 13	NET	UPS/ FedEx SHIP Wt.	Freight SHIP Wt.	A	B	F	X
	O.D. in. mm	5/8 16	3/4 19	7/8 22							
1014-14-16		100	75	40	23	42*	58	11.5	6	19.25	10
		31	23	12	10	19	26	292	152	489	254
1016-14-16		150	100	70	24	42*	59	13.5	8	21.25	12
		46	31	21	11	19	27	343	203	540	305
1020-14-16		250	175	100	25	42*	60	17.5	12	25.25	16
		76	53	30	11	19	27	445	305	641	406

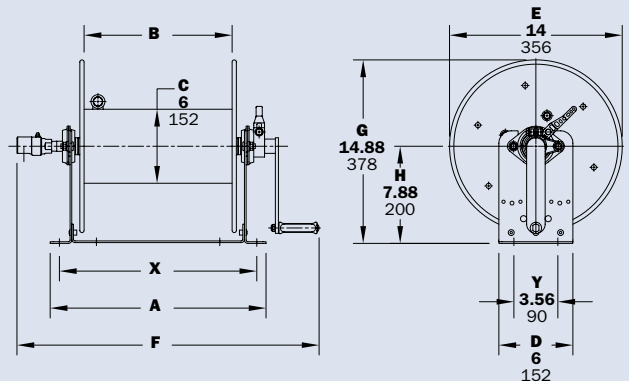
Notes:

1. Specifications subject to change.
2. Other sizes, from standard components, available on request.
3. **Finish:** Refer to page 3.
4. **Be sure to check dimensions and weights prior to ordering.**

NOTICE: A flexible connector must be used between the inlet pipe and the inlet swivel joint.

* Dimensional weight may apply when shipped as a parcel package (via FedEx or UPS Ground).

*** X, Y indicate mounting holes. See page 2.



Series **1100/AT1200**

- Grounds Maintenance • Restaurants/Hotels
- Washdown Operations • Home Use

To handle 3/8" through 1" I.D. hose.

- Continuous flow reels with swivel joint inlet, fluid hub, outlet riser.
- Direct crank rewind and cam-lock drag brake.
- One-piece foot and removable steel handlebar.
- **GH** prefix to model number (e.g., GH1100, GHAT1200) includes garden hose thread on outlet, 5' lead-in hose, hose end clips.

Model 1100

- Standard inlet: 90° ball bearing swivel joint, 1/2" female NPT threads.
- Standard outlet: 1/2" female NPT threads.
- Pressures to 3000 psi (207 bar).
- Temperatures from +32° F to +400° F (0° C to +204° C).
- Rubber tires standard.

Model AT1200

- Standard inlet: 90° balanced pressure swivel joint, 1" female NPT threads.
- Standard outlet: 1" female NPT threads.
- Standard pressures to 2000 psi (138 bar), available up to 4000 psi (276 bar) – must specify.
- Temperatures from -65° F to +250° F (-54° C to +121° C).
- Pneumatic tires standard.



GH1100 configuration shown in optional green powder coat finish



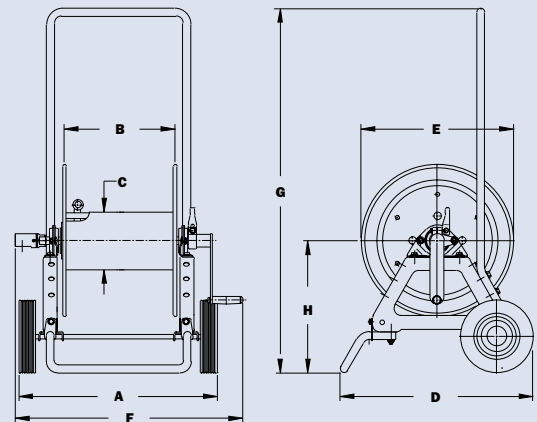
GHAT1200 configuration shown

PARTS DRAWING – 1100 ISO 48; AT1200 ISO 87

Model Number	Hose Capacity of Reel feet m						Approx. Weight lb. kg		Reel Dimensions in. mm							
	I.D. in. mm	3/8 10	1/2 13	5/8 16	3/4 19	1 25	NET	SHIP	A	B	C	D	E	F	G	H
	O.D. in. mm	3/4 19	7/8 22	1 25	1-9/32 33	1-9/16 40										
1100		275 84	175 53	125 38	–	–	47 21	100* 46	21.5 546	12 305	6 152	21 533	16.5 419	25.38 645	39 991	13.81 351
AT1200		–	350 107	250 76	150 46	100 30	86 39	147* 67	24.88 632	11.5 292	8 203	23.31 592	22.75 578	27.25 692	40 1016	17.25 438

Notes:

1. Specifications subject to change.
 2. Some assembly required.
 3. **Finish:** Refer to page 3.
 4. **Be sure to check dimensions and weights prior to ordering.**
- * Dimensional weight applies when shipped as a parcel package (via FedEx or UPS Ground).



GH1100 shown

Series 1500

- Lawn Care • Pest Control • Pressure Washing
- Agriculture • Steam Cleaning

To handle single 3/8" through 5/8" I.D. hose.

- Lightweight, compact reels designed for long lengths of hose.
- Manual rewind reels include: cam-lock drag brake, spring actuated pin lock and direct crank rewind.
- Power rewind reels include: chain and sprocket drive powered by electric, hydraulic or air motor.
- Standard inlet: 90° ball bearing swivel joint, 1/2" female NPT threads.
- Standard outlet: 1/2" female NPT threads.
- Standard pressures to 3000 psi (207 bar), available up to 10,000 psi (690 bar) – must specify.
- Temperatures from -40° F to +400° F (-40° C to +204° C).
- Rollers and roller mounting brackets are accessory items. Specify roller position.
- Optional stainless steel construction and internals – consult factory.
- Optional Hose Guide Kit available (see Ordering & Accessory Guide HO415-OA, page 16).
- **Heavy-Duty Upgrade Options:** 3/16" thick discs, 8" diameter steel 14 gage drum, and optional pressures of 5000 or 10,000 psi, must specify when ordering.



Electric rewind
Standard configuration with optional
HG-15 hose guide shown



Crank rewind
Standard configuration shown



Optional External Mounting Brackets

Part No. 9906.0027.
Add 2-1/2" to the X dimensions shown in the chart.

PARTS DRAWING – ISO 90 (POWER); ISO 179 (MANUAL)

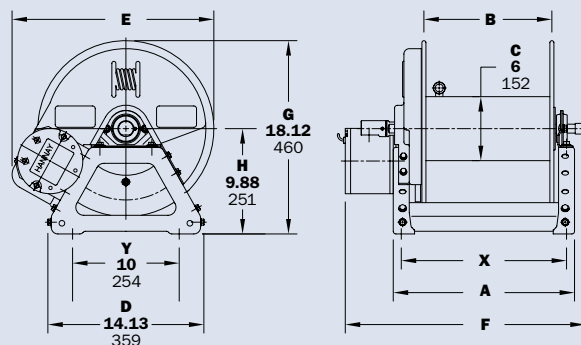
Model Number	Hose Capacity of Reel feet m				Approx. Weight Crank Rewind lb. kg see Note 3			Reel Dimensions*** In. mm						
	I.D. in. mm	3/8 10	1/2 13	5/8 16	NET	UPS/ FedEx SHIP Wt.	Freight SHIP Wt.	A	B	E CRANK	E POWER	F CRANK	F POWER	X
1514-17-18		125	75	50	27	65*	62	11	6	16.5	19	19.25	16.5	9.5
	For power rewind see Note 5	38	23	15	12	30	28	279	152	419	483	489	419	241
1520-17-18		275	175	125	29	80*	64	17	12	16.5	19	25.25	22.5	15.5
		84	53	38	13	36	29	432	305	419	483	641	572	394
1526-17-18		400	300	200	31	98*	66	23	18	16.5	19	31.25	28.5	21.5
		122	91	61	14	45	30	584	457	419	483	794	724	546
1530-17-18		500	375	275	33	110*	68	27	22	16.5	19	35.25	32.5	25.5
		152	114	84	15	50	31	686	559	419	483	895	826	648
1536-17-18		-	475	350	35	129*	70	33	28	16.5	19	41.25	38.5	31.5
		-	145	107	16	59	32	838	711	419	483	1048	978	800

Notes:

- Specifications subject to change.
- Upon request, reels can be supplied with drum lengths other than shown.
- Weights shown in chart are for crank rewind models. ADD these amounts for power rewind models (does not apply to FedEx or UPS):

	Net lbs/kg	Ship lbs/kg
Electric	18/8.2	18/8.2
Hydraulic	15/6.8	15/6.8
Air	15/6.8	15/6.8
- Dimension "F" is the overall length of standard model reels.
- When ordering power rewind models, prefix model number with:
 - A** = Air Rewind – Supplied with control valve and 18" air hose.

- E** = Electric Rewind – 12v and 24v DC rewind reels are supplied with switch and solenoid; 115v AC rewind reels are not supplied with switch but can be ordered separately.
 - HD** = Hydraulic Rewind – Not supplied with control valve.
 - 6. Manual rewind available in RT or LB configurations only.
 - 7. **Finish:** Refer to page 3.
 - 8. **Be sure to check dimensions and weights prior to ordering.**
 - 9. Some roller options may prohibit the use of our molded chain guard.
- NOTICE:** A flexible connector must be used between the inlet pipe and the inlet swivel joint.
* Dimensional weight applies when shipped as a parcel package (via FedEx or UPS Ground).
*** X, Y indicate mounting holes. See page 2.



Power rewind shown

Series 1800

• Air Compressors • Washdown • Lawn Care

To handle single 5/8" or 3/4" I.D. hose.

- Lightweight, compact reels designed for long lengths of hose in manual and power rewind.
- Manual rewind reels include: cam-lock drag brake, spring actuated pin lock and direct crank rewind.
- Power rewind reels include: chain and sprocket drive powered by electric, hydraulic or air motor.
- Standard inlet: 90° ball bearing swivel joint, 1" female NPT threads.
- Standard outlet: 3/4" female NPT threads.
- Standard pressures to 2000 psi (138 bar), available up to 4000 psi (276 bar) – must specify.
- Temperatures from -40° F to +400° F (-40° C to +204° C).
- Optional stainless steel construction and internals – consult factory.
- Rollers and roller mounting brackets are accessory items. Specify roller position.



Electric rewind
Standard configuration shown



Optional External Mounting Brackets

Part No. 9906.0027.
Add 2-1/2" to the X dimensions shown in the chart.

PARTS DRAWING – ISO 136 (POWER); ISO 180 (MANUAL)

Model Number <small>For power rewind see Note 5</small>	Hose Capacity of Reel feet m			Approx. Weight Crank Rewind lb. kg <small>see Note 3</small>			Reel Dimensions*** in. mm						
	I.D. in. mm	5/8 16	3/4 19	NET	UPS/ FedEx SHIP Wt.	Freight SHIP Wt.	A	B	E CRANK	E POWER	F CRANK	F POWER	X
	O.D. in. mm	1 25	1-9/32 40										
1816-17-18		75 23	50 15	28 13	80* 36	63 29	13 330	8 203	16.5 419	19 483	24.13 613	18.5 470	11.5 292
1822-17-18		150 46	100 30	30 14	98* 45	65 29	19 483	14 356	16.5 419	19 483	30.13 765	24.5 622	17.5 445
1826-17-18		200 61	125 38	32 15	98* 45	67 30	23 584	18 457	16.5 419	19 483	34.13 867	28.5 724	21.5 546
1830-17-18		250 76	150 46	33 15	110* 50	68 31	27 686	22 559	16.5 419	19 483	38.13 969	32.5 826	25.5 648
1836-17-18		300 91	200 61	36 16	129* 59	71 32	33 838	28 711	16.5 419	19 483	44.13 1121	38.5 978	31.5 800

Notes:

1. Specifications subject to change.
2. Upon request, reels can be supplied with drum lengths other than shown.
3. Weights shown in chart are for crank rewind models. ADD these amounts for power rewind models (does not apply to FedEx or UPS):

	Net lbs/kg	Ship lbs/kg
Electric	18/8.2	18/8.2
Hydraulic	15/6.8	15/6.8
Air	15/6.8	15/6.8

4. Dimension "F" is the overall length of standard model reels.

5. When ordering power rewind models, prefix model number with:

- A = Air Rewind – Supplied with control valve and 18" air hose.

E = Electric Rewind – 12v and 24v DC rewind reels are supplied with switch and solenoid; 115v AC rewind reels are not supplied with switch but can be ordered separately.

HD = Hydraulic Rewind – Not supplied with control valve.

6. Manual rewind available in RT or LB configurations only.

7. Finish: Refer to page 3.

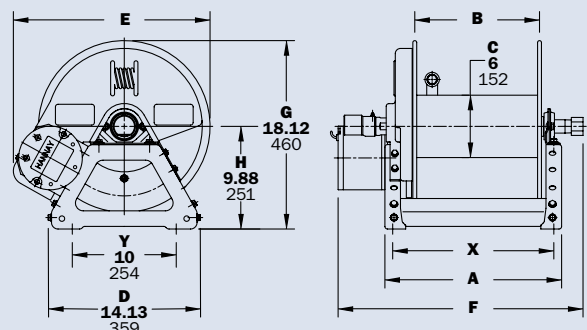
8. Be sure to check dimensions and weights prior to ordering.

9. Some roller options may prohibit the use of our molded chain guard.

NOTICE: A flexible connector must be used between the inlet pipe and the inlet swivel joint.

* Dimensional weight applies when shipped as a parcel package (via FedEx or UPS Ground).

*** X, Y indicate mounting holes. See page 2.



Power rewind shown

Series 2000 | Dual Hose

• Dual Agent Spray (Lawn Care or Pest Control)

To handle dual 1/4" through 1/2" I.D. hose.

- Two swivel joint inlets and two outlet risers to handle two equal lengths of hose.
- Chain-driven crank rewind or chain and sprocket rewind powered by an electric or compressed air motor.
- MX crank rewind reels have pinion brake as standard.
- Power rewind reels are not supplied with a brake.
- Standard inlets: 90° ball bearing swivel joints, 1/2" female NPT threads.
- Standard outlets: 1/2" female NPT threads.
- Standard pressures to 3000 psi (207 bar).
- Temperatures from -40° F to +400° F (-40° C to +204° C).
- Optional stainless steel construction and internals – consult factory.



Electric rewind Standard configuration shown



Optional External Mounting Brackets

Part No. 9906.0027.
Add 2-1/2" to the X dimensions shown in the chart.

PARTS DRAWING – ISO 112

Model Number <small>For power rewind see Note 5</small>	Hose Capacity of Reel feet m				Approx. Weight Crank Rewind ³ lb. kg <small>see Note 3</small>			Reel Dimensions*** in. mm						
	I.D. in. mm	1/4 6	3/8 10	1/2 13	NET	UPS/ FedEx SHIP Wt.	Freight SHIP Wt.	A	B	E CRANK	E POWER	F CRANK	F POWER	X
	O.D. in. mm	5/8 16	3/4 19	7/8 22										
2016-17-18		2/100 2/31	2/75 2/23	2/50 2/15	32 15	80* 36	67 30	13 330	8 203	18.5 470	19 483	21 533	20 508	11.5 292
2020-17-18		2/175 2/53	2/125 2/38	2/75 2/23	34 15	98* 45	69 31	17 432	12 305	18.5 470	19 483	25 635	24 610	15.5 394
2026-17-18		2/275 2/84	2/200 2/61	2/125 2/38	36 16	110* 50	71 32	23 584	18 457	18.5 470	19 483	31 787	30 762	21.5 546
2030-17-18	-	-	2/250 2/76	2/175 2/53	37 17	129* 59	72 33	27 686	22 559	18.5 470	19 483	35 889	34 864	25.5 648
2036-17-18	-	-	2/300 2/91	2/225 2/69	39 18	129* 59	74 34	33 838	28 711	18.5 470	19 483	41 1041	40 1016	31.5 800

Notes:

1. Specifications subject to change.
2. Upon request, reels can be supplied with drum lengths other than shown.
3. Weights shown in chart are for crank rewind models. ADD these amounts for power rewind models (does not apply to FedEx or UPS):

	Net lbs/kg	Ship lbs/kg
Electric	18/8.2	18/8.2
Air	15/6.8	15/6.8

4. Dimension "F" is the overall length of standard model reels. MX chain-drive crank models require 2" clearance to remove crank handle.
5. When ordering power rewind models, prefix model number with:

A = Air Rewind –
Supplied with control valve and 18" air hose.

E = Electric Rewind –
12v and 24v DC rewind reels are supplied with switch and solenoid; 115v AC rewind reels are not supplied with switch but can be ordered separately.

MX = Chain-Driven Crank.

6. **Finish:** Refer to page 3.

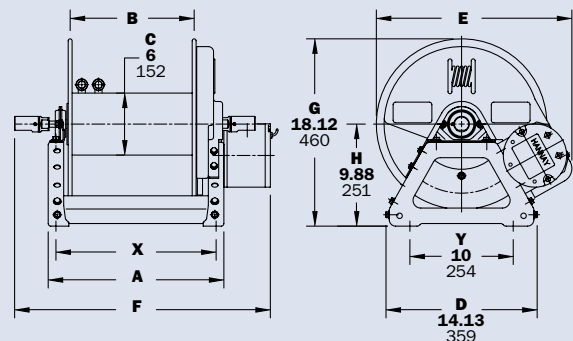
7. **Be sure to check dimensions and weights prior to ordering.**

8. Some roller options may prohibit the use of our molded chain guard.

NOTICE: A flexible connector must be used between the inlet pipe and the inlet swivel joint.

* Dimensional weight applies when shipped as a parcel package (via FedEx or UPS Ground).

*** X, Y indicate mounting holes. See page 2.



Power rewind shown

Series 4000

- Water Supply • Fire Protection
- Chemical Transfer

To handle single 3/4" or 1" I.D. hose.

- Lightweight, compact reels designed for long lengths of hose in manual and power rewind.
- Manual rewind reels include: cam-lock drag brake, spring actuated pin lock and removable direct crank rewind.
- Power rewind reels include: chain and sprocket drive powered by electric, hydraulic or air. Strap brake is standard.
- Standard inlet: 90° ball bearing swivel joint, 1" female NPT threads.
- Standard outlet: 1" female NPT threads.
- Standard pressures to 2000 psi (138 bar), available up to 4000 psi (276 bar) – must specify.
- Temperatures from -40° F to +400° F (-40° C to +204° C).
- Optional stainless steel construction and internals – consult factory.
- Rollers and roller mounting brackets are accessory items. Specify roller position.



Electric rewind Standard configuration shown



Optional External Mounting Brackets

Part No. 9906.0027.

Add 2-1/2" to the X dimensions shown in the chart.

PARTS DRAWING – ISO 68

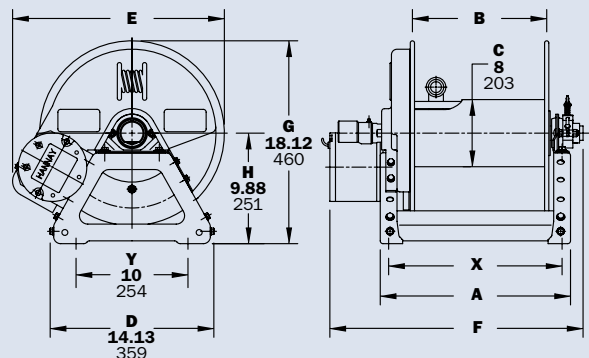
Model Number For power rewind see Note 5	Hose Capacity of Reel feet m			Approx. Weight Crank Rewind lb. kg see Note 3			Reel Dimensions*** in. mm						
	I.D. in. mm	3/4 19	1 25	NET	UPS / FedEx SHIP Wt.	Freight SHIP Wt.	A	B	E CRANK	E POWER	F CRANK	F POWER	X
	O.D. in. mm	1-9/32 33	1-9/16 40										
4018-17-18	50 15	35 11	36 16	80* 36	71 32	15 381	10 254	16.5 419	19 483	27.75 705	20.5 521	13.5 343	
4024-17-18	100 30	50 15	46 21	98* 45	81 37	21 533	16 406	16.5 419	19 483	33.75 857	26.5 673	19.5 495	
4030-17-18	150 46	75 23	57 26	110* 50	92 42	27 686	22 559	16.5 419	19 483	39.75 1010	32.5 826	25.5 648	
4038-17-18	200 61	100 30	70 32	- -	124 56	35 889	30 762	16.5 419	19 483	47.75 1213	40.5 1029	33.5 851	

Notes:

- Specifications subject to change.
- Upon request, reels can be supplied with drum lengths other than shown.
- Weights shown in chart are for crank rewind models. ADD these amounts for power rewind models (does not apply to FedEx or UPS):

	Net lbs/kg	Ship lbs/kg
Electric	18/8.2	18/8.2
Hydraulic	15/6.8	15/6.8
Air	15/6.8	15/6.8
- Dimension "F" is the overall length of standard model reels. Crank rewind reels require 3-1/2" clearance to remove or install crank handle.
- When ordering power rewind models, prefix model number with:
 - A = Air Rewind – Supplied with control valve and 18" air hose.

- E = Electric Rewind – 12v and 24v DC rewind reels are supplied with switch and solenoid; 115v AC rewind reels are not supplied with switch but can be ordered separately.
 - HD = Hydraulic Rewind – Not supplied with control valve.
 - 6. Finish: Refer to page 3.
 - 7. Be sure to check dimensions and weights prior to ordering.
 - 8. Some roller options may prohibit the use of our molded chain guard.
- NOTICE:** A flexible connector must be used between the inlet pipe and the inlet swivel joint.
- * Dimensional weight applies when shipped as a parcel package (via FedEx or UPS Ground).
- *** X, Y indicate mounting holes. See page 2. (Also applies for external mounting brackets.)



Power rewind shown

Series 6000

- Washdown Operations • Tank Filling
- Water Blasting* • Sewer Cleaning*

To handle single 1/2" through 1" I.D. hose.

- Heavy-duty reel for longer lengths of hose.
- Choose gear-driven crank rewind or chain and sprocket drive powered by an electric, hydraulic or compressed air motor.
- Crank rewind reels supplied with pinion brake; power rewind reels with a strap brake.
- Standard inlet: 90° ball bearing swivel joint, 1" female NPT threads.
- Standard outlet: 1" female NPT threads.
- Standard: inlet, outlet riser, and hub assembly are steel. Options: swivel joint also available in aluminum or stainless steel. Riser and hub assembly also available in stainless steel.
- Standard pressures to 2000 psi (138 bar), available up to 5000 psi (345 bar) – must specify.
- Temperatures from -40° F to +400° F (-40° C to +204° C).
- Rollers and roller mounting brackets are accessory items. Specify roller position.
- Optional chain guard available upon request, must be specified.

* Heavy-duty construction required for water blasting and sewer cleaning applications. Consult factory.



Electric rewind
Standard
configuration
shown



Optional Auxiliary Rewind

Ring and pinion shaft rewind unit with removable crank handle.



Optional Assembly
C2 roller top wind
and auxiliary
rewind shown

Series 6000

- Washdown Operations • Tank Filling
- Water Blasting • Sewer Cleaning

PARTS DRAWING – ISO 84

Model Number For power rewind see Note 5	Hose Capacity of Reel feet m				Approx. Weight Crank Rewind lb. kg see Note 4		Reel Dimensions*** in. mm									
	I.D. in. mm	1/2 13	3/4 19	1 25	NET	SHIP	A	B	D	E	F CRANK	F POWER	G	H	X	Y
	O.D. in. mm	7/8 22	1-9/32 33	1-1/2 40												
6024-19-21	200	100	60	85	127	21	15.5	20.5	18.75	25.38	28.5	21.5	12.12	13	16.75	
	61	30	18	39	58	533	394	521	476	645	724	546	308	330	425	
6032-19-21	325	175	85	102	144	29.5	24	20.5	18.75	33.88	37	21.5	12.12	21.5	16.75	
	99	53	26	46	65	749	610	521	476	861	940	546	308	546	425	
6024-23-24	400	150	125	92	134	21	15.5	20.5	22.75	25.38	28.5	23.5	12.12	13	16.75	
	122	46	38	42	61	533	394	521	578	645	724	597	308	330	425	
6030-23-24	-	225	200	105	147	27.5	22	20.5	22.75	31.88	35	23.5	12.12	19.5	16.75	
	-	68	61	48	67	699	559	521	578	810	889	597	308	495	425	
6038-23-24	-	300	250	120	162	35	29.5	20.5	22.75	39.38	42.5	23.5	12.12	27	16.75	
	-	91	76	54	73	889	749	521	578	1000	1080	597	308	686	425	
6016-25-26	250	100	75	88	130	13	7.5	25.5	24.75	17.38	20.5	27.88	15.5	7.75	21.75	
	76	30	23	40	59	330	191	648	629	441	521	708	394	197	552	
6022-25-26	450	175	125	100	142	19	13.5	25.5	24.75	23.38	26.5	27.88	15.5	11	21.75	
	137	84	38	45	64	483	343	648	629	594	673	708	394	279	552	
6028-25-26	-	275	175	113	155	25.5	20	25.5	24.75	29.88	33	27.88	15.5	17.5	21.75	
	-	84	53	51	70	648	508	648	629	759	838	708	394	445	552	
6018-30-31	400	200	150	101	151	15	9.5	25.5	28.75	19.38	22.5	29.88	15.5	7	21.75	
	122	61	46	46	68	381	241	648	730	492	572	759	394	178	552	
6024-30-31	-	350	250	113	163	21	15.5	25.5	28.75	25.38	28.5	29.88	15.5	13	21.75	
	-	107	76	51	74	533	394	648	730	645	724	759	394	330	552	
6028-30-31	-	450	300	121	171	25.5	20	25.5	28.75	29.88	33	29.88	15.5	17.5	21.75	
	-	137	91	55	78	648	508	648	730	759	838	759	394	445	552	
† 6028-33-34	-	-	400	125	175	27.5	22	25.5	28.75	31.88	35	29.88	15.5	19.5	21.75	
	-	-	122	57	79	699	559	648	730	810	889	759	394	495	552	

Notes:

- Specifications subject to change.
- Upon request, reels can be supplied with drum lengths other than shown and with disc sizes in other diameters.
- Dimensions shown for reels up to and including 30-31 disc size reflect pressed frames. All others are rollformed channel frames.
- Weights shown in chart are for crank rewind models. ADD these amounts for power rewind models.

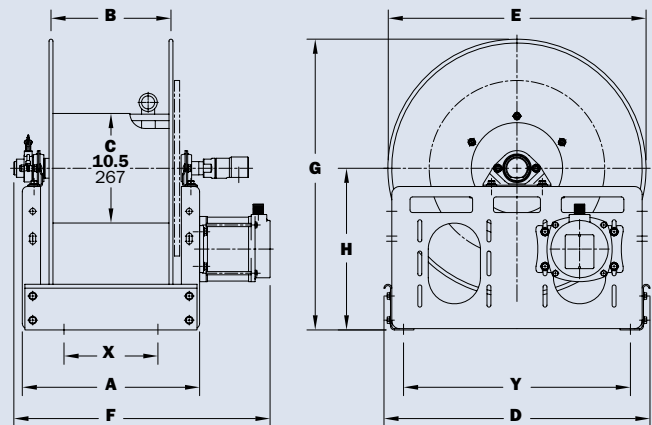
	Net lbs/kg	Ship lbs/kg
Electric	40/18.1	40/18.1
Hydraulic	20/9.1	20/9.1
Air	20/9.1	20/9.1

- When ordering power rewind models, prefix model number with:
 - A** = Air Rewind – Supplied with control valve and 18" air hose.
 - EP** = Electric Rewind (1/2 HP) – 12v and 24v DC rewind reels are supplied with switch and solenoid; 115v AC rewind reels are not supplied with switch but can be ordered separately.
 - HD** = Hydraulic Rewind – Not supplied with control valve.
- Finish:** Refer to page 3.
- Be sure to check dimensions and weights prior to ordering.**

NOTICE: A flexible connector must be used between the inlet pipe and the inlet swivel joint.

*** X, Y indicate mounting holes. See page 2.

† Some applications require a clutch/reduction unit.



Power rewind shown

Series RM

To handle single 3/8" through 1/2" I.D. hose.

- Heavy-duty 12v DC 1/3 HP electric reel.
- Standard ("RM") Models – Rewind only, hose is pulled out manually.
- Optional ("RM-REV") Models – Reversible motor. Features both Rewind and Unwind.
- Variable speed control allows user to choose comfortable rewind speed.
- Long-range (over 500 ft. range) pocket-sized remote, operating on 340 MHz band.
- Adjustable brake prevents hose creep during transit.
- Standard inlet: 90° ball bearing swivel joint, 1/2" female NPT threads.
- Standard outlet: 1/2" female NPT. Optional outlet: 3/8" female NPT or 3/4" male GHT (garden thread). Must specify outlet when ordering.
- Pressures to 3000 psi (207 bar).
- Temperatures from +32° F to +400° F (0° C to +204° C).
- Chain guard is standard.
- No electromechanical components that can break (relays, solenoids, circuit breakers). Simple direct wiring directly to motor and battery.
- Overcurrent and under-voltage protection are all built into the electronics.
- Remote transmitter is uniquely paired with base receiver to prevent interference.



RME 6014-28-29-8

Shown with 300 ft. of 3/8" hose (not included).



RM Remote

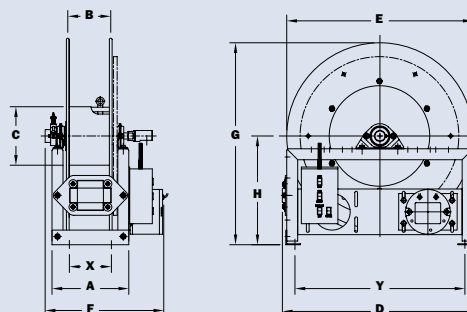
Long-range handheld remote control

PARTS DRAWING – ISO 221

Model Number	Hose Capacity of Reel			Approx. Weight		Reel Dimensions***									
	feet m			lb. kg		in. mm									
	I.D. in. mm	3/8 10	1/2 13	NET	SHIP	A	B	C	D	E	F	G	H	X	Y
RME6014-28-29-8	300	150	130			160	10.5	5.5	8	27	26.75	16.5	28.25	14.88	5.75
	91	46	59	73	267	140	203	686	679	419	718	378	146	591	
RME6014-33-34-10.5	500	300	137	167	10.5	5.5	10.5	31.5	31.75	16.5	33.63	17.75	5.75	27.75	
	152	91	62	76	267	140	267	800	806	419	854	451	146	705	
RME6014-28-29-8-REV	300	150	130	160	10.5	5.5	8	27	26.75	16.5	28.25	14.88	5.75	23.25	
	91	46	59	73	267	140	203	686	679	419	718	378	146	591	
RME6014-33-34-10.5-REV	500	300	137	167	10.5	5.5	10.5	31.5	31.75	16.5	33.63	17.75	5.75	27.75	
	152	91	62	76	267	140	267	800	806	419	854	451	146	705	

Notes:

1. Specifications subject to change.
 2. **Finish:** Refer to page 3.
 3. **Be sure to check dimensions and weights prior to ordering.**
 4. Above reels cannot be shipped via parcel post (UPS or FedEx Ground).
- NOTICE:** A flexible connector must be used between the inlet pipe and the inlet swivel joint.
- *** X, Y indicate mounting holes. See page 2.



Hose Reel **Spec Worksheet**

To specify Hannay reels, fill out this simple form and mail, fax or email it to your dealer.
Photocopy this page or download and print from hannay.com

1. Who is the reel for?

Contact			Date / /	
Company		Position		
Street Address				
City		State	Zip	Country
Phone ()		Fax ()	Email	

2. What is the reel for?

HOSE (check one): Storage only Live Single hose Live Dual hose

Inside diameter:	Hose length:	Bend radius:	Flat hose dimensions:
Outside diameter:	Hose weight:	Coupling spacing:	

Type of product handled live application (check one):

<input type="radio"/> Liquid (specify):	<input type="radio"/> Temperature:	<input type="radio"/> Oxygen/Acetylene:	<input type="radio"/> Other (specify):
<input type="radio"/> Gases (specify):	<input type="radio"/> Pressure:	<input type="radio"/> Hydraulic fluid (specify):	

Fluid path type (check one): Steel (standard) Aluminum Stainless Steel Other

Reel inlet type (check one): Swivel joint 90° (standard) Straight

Reel outlet type (riser): Size:

Thread (check one):	<input type="radio"/> National Pipe Thread (NPT)	<input type="radio"/> Joint Industry Committee (JIC)	<input type="radio"/> Other (specify):
	<input type="radio"/> National Standard Thread (NST)	<input type="radio"/> British Standard Pipe (BSP)	

Indicate your custom specifications

3. What features does the reel need? Check type of rewind:

MANUAL REWIND

Disc rewind (hand over hand) Gear-driven crank Direct crank (permanent or removable) Chain-driven crank

POWER REWIND

Spring Air Electric (voltage): Hydraulic

Type of installation (check one): Floor Wall Overhead Vehicle

Temperature Range: Environment:

Accessories (if any): Hose Stop: Yes No

Roller Assemblies:

Finish: Painted steel (standard) Aluminum Polished Unpolished Stainless steel Polished Unpolished

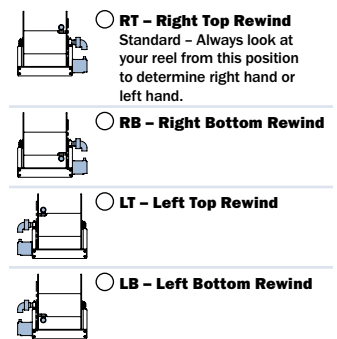
Check type of installation and roller position for spring reels:

Drag Position SR Lift Position VR Stretch (no roller) Position TR Wall Mount Position TR Recovery (pick-up) (no roller)

Constant tension available on all roller positions

4. Specifying Location of Components

Optional Location of Components:
Location of the inlet, outlet riser, and rewind mechanism can be varied to meet your requirements and **must be specified on your order**. Unless otherwise specified, most reels will be shipped as **Right Top Rewind** with the inlet, outlet riser, and rewind mechanism on the operator's right.



Note: Use component location initials as suffix after model number (ie: E1520-17-18 LT)

5. Please note size and/or weight limitations for your installation

SPECIFICATIONS

Depth: _____

Height: _____

Width: _____

Weight: _____

For custom applications not found in our catalogs, call the Inside Sales Group at 518-797-3791.

You Can't Buy A Better Reel.

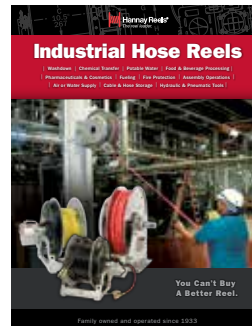
Hannay Reels: The only reels you'll ever need.

Our rugged, dependable spray and pressure washing hose reels are constructed of high quality materials to provide years of reliable service with minimal maintenance. The heavy-duty design and construction of our reels ensure that they outperform and outlast the competition, while increasing productivity and helping to maintain a safer workplace.



Here's what makes Hannay reels the industry choice:

- Multi-position roller assembly features dual arms to give maximum support from each side.
- Heavy 14-gauge disc has rolled edges that add rigidity and strength
- One-piece hub assembly for superior strength.
- Externally mounted spring motor and ratchet pawl lock for the most serviceable reel available.
- Drums are 304-grade stainless steel for maximum corrosion resistance.
- 11-gauge steel modular frame bolts easily to standard footprint patterns.
- Sealed axle bearings provide superior wear and effortless operation.



Industrial Hose Reels

Includes specs and information on:

- High pressure spring rewind reels
- Compact manual rewind reels
- Power rewind reels
- Portable storage reels
- Hose assemblies



Stainless Steel Reels

Comprehensive information on:

- Spring rewind reels
- Manual rewind reels
- Compact manual rewind reels
- Fuel reels

View all our reel catalogs online at
hannay.com



Family owned and operated since 1933, Hannay Reels is the world leader in both OEM and aftermarket applications. Hannay offers thousands of standard hose reel and cable reel models, as well as unmatched custom capabilities. We can easily and affordably customize a reel to meet your exact specifications – built to last, delivered fast. Additional catalogs are available through your local Hannay Reels dealer or online at hannay.com.



553 State Route 143 | Westerlo, New York 12193
Email: reels@hannay.com | hannay.com



All Hannay reels are constructed of quality heavy gauge steel (optional aluminum or stainless steel also available on most models).

Phone: **518-797-3791**
Toll Free: **1-877-467-3357**

Domestic FAX: **1-800-733-5464**
International FAX: **518-797-3259**

Form H-0605-SPW Rev 8-21



C
10.5"
267



Hannay Reels®
The reel leader.

Reel Product News

New Spray Non-Corrosive (SNC) Series Reels



Hannay's new **Spray Non-Corrosive (SNC) Series** reels, constructed primarily of 304-grade stainless steel, are designed specifically for lawn care, agriculture, horticulture, pest control and other spray-related industries.

Competitively priced and comparable in weight to aluminum construction, the SNC series provides a significant advantage in strength and protection in corrosive environments. These reels are designed to handle a variety of applications, including water, pesticides and fertilizer mixes.

Available in both crank and electric-powered rewind, other options include 4-way roller guides, as well as lightweight aluminum reel stacking kits.



See reverse for features, capacities and reel dimensions.

Email: reels@hannay.com
hannay.com

Toll Free: **877-467-3357**
Phone: **518-797-3791**

Domestic FAX: **800-733-5464**
International FAX: **518-797-3259**



Reel Product News

Standard Features:

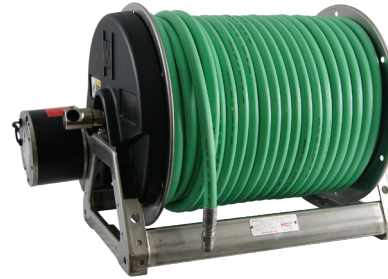
To handle single 3/8" through 5/8" I.D. hose.

- Lightweight, low-profile reels designed for hose lengths up to 500 ft.
- Mostly 304 SST construction, including discs, axle hub, and welded frame.
- Non-SST components: Drum (Aluminum), Swivel Joint, Bearings (Plated).
- Manual (direct crank) reels include both pin lock and 3-position cam-lock drag brake.
- Electric rewind reels (denoted by letter 'E' at end of model) feature plated chain/sprocket drive with guard.
- Standard inlet: 90° full-flow swivel, 1/2" FNPT threads. Standard outlet: 1/2" FNPT threads.
- Standard pressure rated to 3000 psi (207) bar. Higher pressures available, consult factory.

Options:

- Aluminum stackable frame (for manual rewind reels).
- SST rollers and roller mounting brackets.
- Drum, swivel joint and bearings all upgradeable to SST.
- Power rewind reels: Motor available in 12 or 24VDC, as well as 115VAC.

Top: Model SNC-18 manual rewind reel with optional rollers.



Middle: Model SNC-18E electric rewind reel (hose not included).



Bottom: Models SNC-18 manual rewind reels shown with optional stacking frame and rollers.

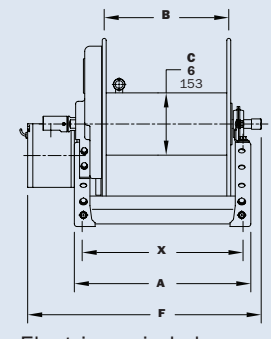
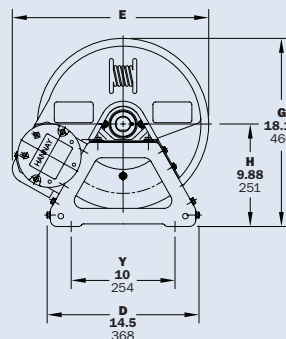
SNC Series Reels

Model Number	Hose Capacity of Reel feet m			Approx. Weight lb. kg			Reel Dimensions*** in. mm					
	I.D. in. mm	3/8 10	1/2 13	5/8 16	NET	UPS/ FedEx SHIP Wt.	Freight SHIP Wt.	A	B	E	F	X
SNC-12		300	200	125	29	80*	64	17	12	16.5	25.25	15.5
		84	53	38	13	36	29	432	305	419	641	394
SNC-18		400	300	200	31	98*	66	23	18	16.5	31.25	21.5
		122	91	61	14	45	30	584	457	419	794	546
SNC-22		500	400	275	33	110*	68	27	22	16.5	35.25	25.5
		152	114	84	15	50	31	686	559	419	895	648
SNC-12E		300	200	125	47	80*	82	17	12	19	22.5	15.5
		84	53	38	21	36	37	432	305	483	572	394
SNC-18E		400	300	200	49	98*	84	23	18	19	28.5	21.5
		122	91	61	22	45	38	584	457	483	724	546
SNC-22E		500	400	275	51	110*	86	27	22	19	32.5	25.5
		152	114	84	23	50	39	686	559	483	826	648

Notes:

1. Specifications subject to change.
2. Other models available than those shown.
3. Dimension "F" is the overall length of standard model reels.
4. Electric rewind reels indicated with 'E' in model suffix (example - SNC-12E).
5. Be sure to check dimensions and weights prior to ordering.

NOTICE: A flexible connector must be used between the inlet pipe and the inlet swivel joint.
 * Dimensional weight applies when shipped as a parcel package (via FedEx or UPS Ground).
 *** X, Y indicate mounting holes.



Electric rewind shown