

Third Party Listings

UL 355 - UL Standard for Safety Cord Reels

UL Listing means that **UL** has tested representative samples of a product and determined that the product meets specific, defined requirements. These requirements are often based on **UL's** published and nationally recognized Standards for Safety.

- UL tests the product and the manufacturing facility to certify that the product is safe if used as intended
- Recognized as the standard worldwide
- Mitigates insurance liability



CSA - C22.2 NO. 21-95 - Cord Sets & Power Supply Cords

CSA International certification marks indicate that a product, process or service has been tested to a Canadian or U.S. standard and it meets the requirements of an applicable **CSA** standard or another recognized document used as a basis for certification.

- Similar to UL, but preferred in some instances



Series L 3000 Cord Reels

- Ultra-compact for a wide range of bench mount or mobile applications with critical space requirements
- Easily fit within a 1 ft. x 1 ft. space
- Multiple slotted mounting holes to accommodate many configurations



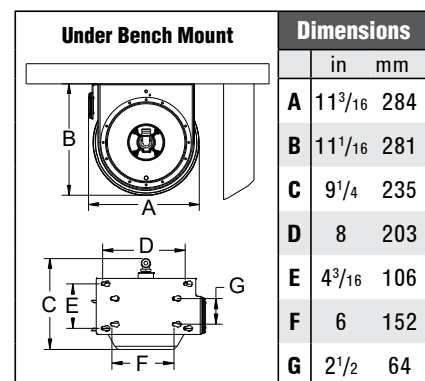
NEW!
L 3030 123 7Q



S602805 - Optional guide arm accessory; refer to online tech bulletin for installation instructions

| Model w/ cord & bumper | Cord Ending | Cord Specifications | | | | | Volts | Amps | Weight | | |
|------------------------|--|---------------------|-----------------|--------|----|---|-------|------|--------|-----|-----|
| | | AWG | mm ² | # Cond | ft | m | | | Type* | lbs | kg |
| L 3030 123 3 | Single receptacle NEMA 5-15R, Inlet straight blade plug NEMA 5-15P | 12 | 3.32 | 3 | 30 | 9 | SJTO | 125 | 15 | 23 | 10 |
| L 3030 123 7Q | Quad box outlet NEMA 5-20R, Inlet straight blade plug NEMA 5-20P | 12 | 3.32 | 3 | 30 | 9 | SJTO | 125 | 20 | 25 | 11 |
| L 3030 123 X | Flying Lead both ends | 12 | 3.32 | 3 | 30 | 9 | SJTO | 125 | 20 | 24 | 11 |
| S602805 | Optional guide arm accessory for multiple adjustment positions | | | | | | | | | 1.1 | 0.5 |

For indoor non-weathertight applications only. All models UL listed at 125 Volt 60 HZ single phase. Models supplied with 4 ft. inlet cord. *Cord type designation shows all combinations of cord types that may be used, only UL approved cord types will be used.



Triple Tap Power Cord Reels

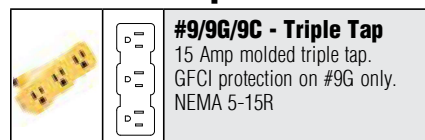


| Model w/ cord & bumper | Cord Ending | Cord Specifications | | | | | Volts | Amps | Shipping Weight | | Size Index # | |
|------------------------|--|---------------------|-----------------|--------|-----|----|--------|------|-----------------|-----|--------------|----|
| | | AWG | mm ² | # Cond | ft | m | | | Type** | lbs | | kg |
| L 4050 163 9 | Triple tap outlet NEMA 5-15R, Inlet straight blade plug NEMA 5-15P | 16 | 1.33 | 3 | 50 | 15 | SJEOOW | 125 | 13 | 26 | 12 | 1 |
| L 4545 123 9 | | 12 | 3.32 | 3 | 45 | 14 | SJEOOW | 125 | 15 | 28 | 13 | 1 |
| L 70075 123 9 | | 12 | 3.32 | 3 | 75 | 23 | SE00W | 125 | 15 | 71 | 32 | 5 |
| L 70100 123 9 | | 12 | 3.32 | 3 | 100 | 30 | SE00W | 125 | 15 | 75 | 34 | 5 |
| L 4545 123 9G* | Triple tap outlet w/ GFCI NEMA 5-15R, Inlet straight blade plug NEMA 5-15P | 12 | 3.32 | 3 | 45 | 14 | SJEOOW | 125 | 15 | 29 | 13 | 1 |
| L 70075 123 9G* | | 12 | 3.32 | 3 | 75 | 23 | SE00W | 125 | 15 | 72 | 33 | 5 |
| L 70100 123 9G* | | 12 | 3.32 | 3 | 100 | 30 | SE00W | 125 | 15 | 76 | 34 | 5 |
| L 4545 123 9C | Triple tap outlet NEMA 5-15R, Inlet twist lock plug NEMA L5-15P | 12 | 3.32 | 3 | 45 | 14 | SJEOOW | 125 | 15 | 28 | 13 | 1 |

For indoor non-weathertight applications only. All models UL listed at 125 Volt 60 HZ single phase. Swing brackets or pivot bases should be used if cords are pulled at more than 45°, see page 43. *The GFCI Receptacle is designed to protect from line-to-ground shock hazards. It does not protect against short circuits or overloads; this is the function of the fuse or circuit breaker. **Cord type designation shows all combinations of cord types that may be used, only UL approved cord types will be used.



Cord End Specifications



Refer to page 32 for dimensional drawings.

Single Receptacle Power Cord Reels

| Model with cord & bumper | Cord Ending | Cord Specifications | | | | | Volts Amps | | Shipping Weight | | Size Index # | |
|--------------------------|--|---------------------|-----------------|--------|-----|----|------------|-----|-----------------|-----|--------------|----|
| | | AWG | mm ² | # Cond | ft | m | Type* | | | lbs | | kg |
| L 4035 163 3 | Single receptacle NEMA 5-15R, Inlet straight blade plug NEMA 5-15P | 16 | 1.33 | 3 | 35 | 11 | SJTOW | 125 | 13 | 25 | 11 | 1 |
| L 4050 163 3 | | 16 | 1.33 | 3 | 50 | 15 | SJTOW | 125 | 13 | 26 | 12 | 1 |
| L 4545 123 3 | | 12 | 3.32 | 3 | 45 | 14 | SJEOOW | 125 | 15 | 27 | 12 | 1 |
| L 5550 123 3 | | 12 | 3.32 | 3 | 50 | 15 | SJEOOW | 125 | 15 | 44 | 20 | 3 |
| L 70075 123 3 | | 12 | 3.32 | 3 | 75 | 23 | SEOOOW | 125 | 15 | 70 | 32 | 5 |
| L 70100 123 3 | | 12 | 3.32 | 3 | 100 | 30 | SEOOOW | 125 | 15 | 74 | 34 | 5 |
| L 4525 123 3A | Single receptacle NEMA 5-20R, Inlet straight blade plug NEMA 5-20P | 12 | 3.32 | 3 | 25 | 8 | SJEOOW | 125 | 20 | 25 | 11 | 1 |
| L 4545 123 3A | | 12 | 3.32 | 3 | 45 | 14 | SJEOOW | 125 | 20 | 28 | 13 | 1 |
| L 5550 123 3A | | 12 | 3.32 | 3 | 50 | 15 | SJEOOW | 125 | 20 | 44 | 20 | 3 |
| L 70075 123 3A | | 12 | 3.32 | 3 | 75 | 23 | SEOOOW | 125 | 20 | 70 | 32 | 5 |
| L 70100 123 3A | | 12 | 3.32 | 3 | 100 | 30 | SEOOOW | 125 | 20 | 74 | 34 | 5 |
| L 4545 123 3AC | Single receptacle NEMA 5-20R, Inlet twist lock plug NEMA L5-20P | 12 | 3.32 | 3 | 45 | 14 | SJEOOW | 125 | 20 | 28 | 13 | 1 |
| L 70075 123 3AC | | 12 | 3.32 | 3 | 75 | 23 | SEOOOW | 125 | 20 | 70 | 32 | 5 |
| L 70075 123 15BC | Twist lock single receptacle NEMA L5-15R, Inlet twist lock plug NEMA L5-15P | 12 | 3.32 | 3 | 75 | 23 | SEOOOW | 125 | 15 | 70 | 32 | 5 |
| L 4545 123 3B | Twist lock single receptacle NEMA L5-20R, Inlet straight blade plug NEMA 5-20P | 12 | 3.32 | 3 | 45 | 14 | SJEOOW | 125 | 20 | 28 | 13 | 1 |
| L 5550 123 3B | | 12 | 3.32 | 3 | 50 | 15 | SJEOOW | 125 | 20 | 44 | 20 | 3 |
| L 70100 123 3B | | 12 | 3.32 | 3 | 100 | 30 | SEOOOW | 125 | 20 | 74 | 34 | 5 |

For indoor non-weathertight applications only. All models UL listed at 125 Volt 60 HZ single phase. Swing brackets or pivot bases should be used if cords are pulled at more than 45°, see page 43. *Cord type designation shows all combinations of cord types that may be used, only UL approved cord types will be used.



L 5550 123 3A



Cord End Specifications

| | | |
|--|--|---|
| | | #3 - Single Receptacle Single 15 AMP with clamp type strain relief for 16 and 12 AWG cord. NEMA 5-15R |
| | | #3A/3AC - Single Receptacle Single 20 AMP. NEMA 5-20R |
| | | #15BC - Twist Lock Receptacle Single 15 AMP with twist lock connector. NEMA L5-15R |
| | | #3B - Twist Lock Receptacle Single 20 AMP with twist lock connector. NEMA L5-20R |

Many more cord reel models available in addition to the charts on pages 29-32. Contact Reelcraft for more information. *Minimum order quantities may apply



Flying Lead and Bare Power Cord Reels

| Model | Cord Ending | Cord Specifications | | | | | Volts/ Amps | Volts/ Amps | Shipping Weight* | | Size Index # | |
|---------------|-------------|---------------------|-----------------|--------|-----|----|-------------|-------------|------------------|----|--------------|---|
| | | AWG | mm ² | # Cond | ft | m | | | Type** | | | |
| L 4050 163 X | Flying lead | 16 | 1.33 | 3 | 50 | 15 | SJEOOW | 125 / 13 | 220 / 6.5 | 26 | 12 | 1 |
| L 4545 123 X | | 12 | 3.32 | 3 | 45 | 14 | SJEOOW | 125 / 20 | 220 / 10 | 25 | 11 | 1 |
| L 5550 123 X | | 12 | 3.32 | 3 | 50 | 15 | SJEOOW | 125 / 20 | 220 / 10 | 35 | 16 | 3 |
| L 70075 123 X | | 12 | 3.32 | 3 | 75 | 23 | SEOOOW | 125 / 20 | 220 / 10 | 69 | 31 | 6 |
| L 70100 123 X | | 12 | 3.32 | 3 | 100 | 30 | SEOOOW | 125 / 20 | 220 / 10 | 73 | 33 | 6 |
| L 5550 124 X | | 12 | 3.32 | 4 | 50 | 15 | SEOOOW | ----- | 600 / 16 | 43 | 20 | 3 |
| L 70100 124 X | | 12 | 3.32 | 4 | 100 | 30 | SEOOOW | ----- | 600 / 16 | 75 | 34 | 6 |
| L 5750 103 X | | 10 | 5.27 | 3 | 50 | 15 | SEOOOW | 125 / 30 | 220 / 15 | 55 | 25 | 4 |
| L 7050 104 X | | 10 | 5.27 | 4 | 50 | 15 | SEOOOW | ----- | 600 / 20 | 65 | 29 | 7 |
| L 4500 | Bare reel | 12 | 3.32 | 3 | 45 | 14 | SJEOOW | 125 / 20 | 220 / 10 | 21 | 10 | 1 |
| L 70100 | | 12 | 3.32 | 3 | 100 | 30 | SEOOOW | 125 / 20 | 220 / 10 | 58 | 26 | 6 |
| L 5000 | | 10 | 5.27 | 3 | 35 | 11 | SO | 125 / 30 | 220 / 15 | 29 | 13 | 2 |
| L 5700 | | 10 | 5.27 | 3 | 50 | 15 | SEOOOW | 125 / 30 | 220 / 15 | 37 | 17 | 4 |
| L 7000 | | 6 | 13.3 | 4 | 35 | 11 | SOOW | ----- | 220 / 45 | 41 | 19 | 7 |

For indoor non-weathertight applications only. All models UL listed at 125/220 Volt 60 HZ single phase. Swing brackets or pivot bases should be used if cords are pulled at more than 45°, see page 43. Flying lead models include cord and bumper. **Equivalent cord type may be used.



L 70100 123 X



Cord End Specifications

| | |
|--|---|
| | X - Flying Lead Flying leads on inlet and outlet and conduit box. |
|--|---|

Refer to page 32 for dimensional drawings for all cord reels.

Duplex and Quad Box Power Cord Reels

| Model with cord & bumper | Cord Ending | Cord Specifications | | | | Volts | Amps | Shipping Weight | | Size Index # |
|--------------------------|--|---------------------|-----------------|--------|--------|--------|------|-----------------|-------|--------------|
| | | AWG | mm ² | # Cond | ft m | | | Type** | lbs | |
| L 4545 123 7* | Duplex box outlet with GFCI NEMA 5-15R, Inlet straight blade plug NEMA 5-15P | 12 | 3.32 | 3 | 45 14 | SJEOOW | 125 | 15 | 29 13 | 1 |
| L 5550 123 7* | | 12 | 3.32 | 3 | 50 15 | SEOOOW | 125 | 15 | 45 20 | 3 |
| L 70075 123 7* | | 12 | 3.32 | 3 | 75 23 | SEOOOW | 125 | 15 | 72 33 | 5 |
| L 4525 123 7A* | Duplex box outlet with GFCI NEMA 5-20R, Inlet straight blade plug NEMA 5-20P | 12 | 3.32 | 3 | 25 8 | SJEOOW | 125 | 20 | 27 12 | 1 |
| L 4545 123 7A* | | 12 | 3.32 | 3 | 45 14 | SJEOOW | 125 | 20 | 29 13 | 1 |
| L 5550 123 7A* | | 12 | 3.32 | 3 | 50 15 | SEOOOW | 125 | 20 | 45 20 | 3 |
| L 70075 123 7A* | | 12 | 3.32 | 3 | 75 23 | SEOOOW | 125 | 20 | 72 33 | 5 |
| L 70100 123 7A* | | 12 | 3.32 | 3 | 100 30 | SEOOOW | 125 | 20 | 76 34 | 5 |
| L 4545 123 7AC* | Duplex box outlet with GFCI NEMA 5-20R, Inlet twist lock plug NEMA L5-20P | 12 | 3.32 | 3 | 45 14 | SJEOOW | 125 | 20 | 29 13 | 1 |
| L 4525 123 7B | Duplex box outlet NEMA 5-20R, Inlet straight blade plug NEMA 5-20P | 12 | 3.32 | 3 | 25 8 | SJEOOW | 125 | 20 | 27 12 | 1 |
| L 4545 123 7B | | 12 | 3.32 | 3 | 45 14 | SJEOOW | 125 | 20 | 29 13 | 1 |
| L 5550 123 7B | | 12 | 3.32 | 3 | 50 15 | SEOOOW | 125 | 20 | 45 20 | 3 |
| L 4525 123 7BC | Duplex box outlet NEMA 5-20R, Inlet twist lock plug NEMA L5-20P | 12 | 3.32 | 3 | 25 8 | SJEOOW | 125 | 20 | 27 12 | 1 |
| L 4525 123 7P | Quad box outlet NEMA 5-15R, Inlet straight blade plug NEMA 5-15P | 12 | 3.32 | 3 | 25 8 | SJEOOW | 125 | 15 | 27 12 | 1 |
| L 5550 123 7P | | 12 | 3.32 | 3 | 50 15 | SJEOOW | 125 | 15 | 45 20 | 3 |
| L 4525 123 7Q | Quad box outlet NEMA 5-20R, Inlet straight blade plug NEMA 5-20P | 12 | 3.32 | 3 | 25 8 | SJEOOW | 125 | 20 | 27 12 | 1 |
| L 4545 123 7Q | | 12 | 3.32 | 3 | 45 14 | SJEOOW | 125 | 20 | 29 13 | 1 |
| L 5550 123 7Q | | 12 | 3.32 | 3 | 50 15 | SJEOOW | 125 | 20 | 45 20 | 3 |
| L 4525 123 7QC | Quad box outlet NEMA 5-20R, Inlet twist lock plug NEMA L5-20P | 12 | 3.32 | 3 | 25 8 | SJEOOW | 125 | 20 | 27 12 | 1 |
| L 4545 123 7QC | | 12 | 3.32 | 3 | 45 14 | SJEOOW | 125 | 20 | 29 13 | 1 |
| L 70100 123 7QC | | 12 | 3.32 | 3 | 100 30 | SEOOOW | 125 | 20 | 76 34 | 5 |

For indoor non-weathertight applications only. All models UL listed at 125 Volt 60 HZ single phase. Swing brackets or pivot bases should be used if cords are pulled at more than 45°, see page 43. *The GFCI Receptacle is designed to protect from line-to-ground shock hazards. It does not protect against short circuits or overloads; this is the function of the fuse or circuit breaker. **Equivelant cord type may be used.



L 4545 123 7



Cord End Specifications

| | |
|--|--|
| | #7 - Duplex Outlet Box 15 AMP duplex outlet box with GFCI protection. Includes flip cover. NEMA 5-15R |
| | #7A/7AC/7B/7BC - Duplex Outlet Box 20 AMP duplex outlet box. GFCI protection on #7A/7AC. Includes flip cover. NEMA 5-20R |
| | #7P - Quad Box 15 AMP quad outlet box. Four receptacles. Does not include flip cover. NEMA 5-15R |
| | #7Q/7QC - Quad Box 20 AMP quad outlet box. Four receptacles. Does not include flip cover. NEMA 5-20R |



Reverse Plug Power Cord Reels

| Model with cord & bumper | Cord Ending | Cord Specifications | | | | Volts | Amps | Shipping Weight | | Size Index # |
|--------------------------|---|---------------------|-----------------|---------|--------|--------|------|-----------------|-------|--------------|
| | | AWG | mm ² | # Cond. | ft m | | | Type** | lbs | |
| L 4035 163 3-RP | Outlet straight blade plug NEMA 5-15P, Inlet single receptacle NEMA 5-15R | 16 | 1.33 | 3 | 35 11 | SJEOOW | 125 | 13 | 26 12 | 1 |
| L 4050 163 3-RP | | 16 | 1.33 | 3 | 50 15 | SJEOOW | 125 | 13 | 29 13 | 1 |
| L 4545 123 3A-RP | Outlet straight blade plug NEMA 5-20P, Inlet single receptacle NEMA 5-20R | 12 | 3.32 | 3 | 45 14 | SJEOOW | 125 | 20 | 28 13 | 1 |
| L 70100 123 3A-RP | | 12 | 3.32 | 3 | 100 30 | SEOOOW | 125 | 20 | 74 34 | 5 |
| L 5750 103 4 | RV plug NEMA TT-30P outlet, Flying lead inlet | 10 | 5.37 | 3 | 50 15 | SOOW | 125 | 30 | 50 23 | 4 |

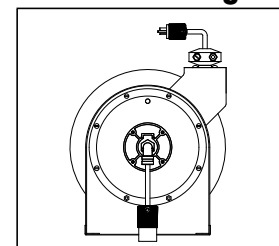
For indoor non-weathertight applications only. All models UL listed at 125 Volt 60 HZ single phase. Swing brackets or pivot bases should be used if cords are pulled at more than 45°, see page 43. **Equivelant cord type may be used.



L 4050 163 3-RP

Ideal for mobile applications, including carts

Reverse Plug



Refer to page 32 for dimensional drawings for all cord reels.

Light Cord Reels

| Model with cord & bumper | Cord Ending | Cord Specifications | | | | Volts | Amps | Shipping Weight | | Size Index # |
|--------------------------|--|---------------------|-----------------|--------|-------|--------|------|-----------------|-------|--------------|
| | | AWG | mm ² | # Cond | ft m | | | Type** | lbs | |
| L 4035 163 1 | Incandescent lamp, Inlet straight blade plug NEMA 5-15P | 16 | 1.33 | 3 | 35 11 | SJTOW | 125 | 10 | 23 10 | 1 |
| L 4050 163 1 | | 16 | 1.33 | 3 | 50 15 | SJTOW | 125 | 10 | 27 12 | 1 |
| L 4035 163 1C | Incandescent lamp, Inlet twist lock plug NEMA L5-15P | 16 | 1.33 | 3 | 35 11 | SJTOW | 125 | 10 | 23 10 | 1 |
| L 4050 163 1C | | 16 | 1.33 | 3 | 50 15 | SJEOOW | 125 | 10 | 27 12 | 1 |
| L 4035 163 10 | LED lamp w/ outlet, Inlet straight blade plug NEMA 5-15P | 16 | 1.33 | 3 | 35 11 | SJTOW | 125 | 12 | 26 12 | 1 |
| L 4050 163 10 | | 16 | 1.33 | 3 | 50 15 | SJTOW | 125 | 12 | 28 13 | 1 |
| L 4050 163 10C | LED lamp w/ outlet, Inlet twist lock plug NEMA L5-15P | 16 | 1.33 | 3 | 50 15 | SJEOOW | 125 | 12 | 28 13 | 1 |
| L 4050 162 11 | LED lamp, Inlet straight blade plug NEMA 5-15P | 16 | 1.33 | 2 | 50 15 | SJTOW | 125 | 0.3 | 28 13 | 1 |

For indoor non-weathertight applications only. All models UL listed at 125 Volt 60 HZ single phase. Swing brackets or pivot bases should be used if cords are pulled at more than 45°, see page 43. **Equivelant cord type may be used.



L 4050 163 10



- All Series L 4000, L 5000, and L 70000 reel models supplied with cord are complete with a 4-5 foot pigtail and three-prong plug (except flying lead reels)
- Compact for critical space requirements
- Engineered for industrial and commercial use
- Durable abrasion and corrosion resistant baked-on powder coat finish
- Wall, ceiling, or bench mount

| | |
|--|---|
|  | #1 - Incandescent Light (75 watt max) Single receptacle tool tap; Push-through switch, metal grounded guard |
|  | #10/10C - LED Light (930 lumens) Two ultra-high intensity 4-watt LEDs; Single 3-watt end spot light; Polycarbonate shatter-resistant light tube; In-line tool tap, NEMA 5-15R configuration maximum 12 amp draw |
|  | #11 - LED Light (930 lumens) Two ultra-high intensity 4-watt LEDs; Single 3-watt end spot light; Polycarbonate shatter-resistant light tube |

| Diagram | Dimensions - Size Index | | | | | | | |
|---------|--------------------------------|-----|--------------------------------|-----|--------------------------------|-----|--------------------------------|-----|
| | 1 | | 2 | | 3 | | 4 | |
| | in | mm | in | mm | in | mm | in | mm |
| A | 12 ⁷ / ₈ | 327 | 14 ³ / ₈ | 365 | 17 ⁵ / ₈ | 448 | 17 ⁵ / ₈ | 448 |
| B | 12 ⁵ / ₈ | 321 | 14 ¹ / ₄ | 362 | 16 ³ / ₄ | 425 | 16 ³ / ₄ | 425 |
| C | 8 | 203 | 9 ³ / ₄ | 248 | 9 ³ / ₄ | 248 | 9 ³ / ₄ | 248 |
| D | 2 ¹ / ₂ | 64 | 2 ¹ / ₂ | 64 | 2 ¹ / ₂ | 64 | 2 ¹ / ₂ | 64 |
| E | 9 ³ / ₈ | 239 | 10 ¹ / ₂ | 267 | 10 ¹ / ₂ | 267 | 12 ¹ / ₂ | 318 |
| F | 1 ³ / ₄ | 44 | 2 ¹ / ₈ | 54 | 2 ¹ / ₈ | 54 | 2 ¹ / ₈ | 54 |

NEW!
Reel Covers
Available for Series L 70000 reels only. See page 41



Pivot Bases & Swing Brackets
Swing brackets or pivot bases should be used if cords are pulled at more than 45°, see page 43.

Swing Bracket 600993
Pivot Base S600608



| Diagram | Dimensions - Size Index | | | | | |
|---------|---------------------------------|-----|---------------------------------|-----|---------------------------------|-----|
| | 5 | | 6 | | 7 | |
| | in | mm | in | mm | in | mm |
| A | 20 ¹ / ₄ | 514 | 20 ¹ / ₄ | 514 | 20 ¹ / ₄ | 514 |
| B | 19 ³ / ₄ | 502 | 19 ³ / ₄ | 502 | 19 ³ / ₄ | 502 |
| C | 7 ¹³ / ₁₆ | 198 | 7 ¹³ / ₁₆ | 198 | 7 ¹³ / ₁₆ | 198 |
| D | 3 ⁷ / ₈ | 98 | 3 ⁷ / ₈ | 98 | 3 ⁷ / ₈ | 98 |
| E | 11 ³ / ₄ | 298 | 12 ¹ / ₂ | 318 | 14 ⁵ / ₈ | 371 |

NEMA 4 Power Cord Reels

- NEMA 4 rating provides protection against water or dust, indoor and out
- Cast aluminum construction with yellow powder coat finish
- Large, easy to access junction box
- One inch (NPT) pipe thread opening provided for conduit inlet
- Guide arm is adjustable every 5° over a 270° arc
- Containerized drive spring allows for safer, easier maintenance



L NM440 103 X



Interactive Reel Catalog

Visit reelcraft.com/catalog for complete product specifications, parts, and accessories.

| Model with cord & bumper | Cord Ending | Cord Specifications | | | | | Volts | Amps | Shipping Weight | | |
|--------------------------|-------------|---------------------|-----------------|---------|----|----|-------|------|-----------------|-----|----|
| | | AWG | mm ² | # Cond. | ft | m | | | Type | lbs | kg |
| L NM450 163 X | Flying Lead | 16 | 1.31 | 3 | 50 | 15 | SOW | 600 | 9 | 43 | 20 |
| L NM450 143 X | | 14 | 2.08 | 3 | 50 | 15 | SOW | 600 | 13 | 48 | 22 |
| L NM445 144 X | | 14 | 2.08 | 4 | 45 | 14 | SOW | 600 | 11 | 50 | 23 |
| L NM425 123 X | | 12 | 3.31 | 3 | 25 | 8 | SOW | 600 | 18 | 44 | 20 |
| L NM450 123 X | | 12 | 3.31 | 3 | 50 | 15 | SOW | 600 | 18 | 50 | 23 |
| L NM440 124 X | | 12 | 3.31 | 4 | 40 | 12 | SOW | 600 | 14 | 50 | 23 |
| L NM440 103 X | | 10 | 5.26 | 3 | 40 | 12 | SOW | 600 | 22 | 50 | 23 |
| L NM430 104 X | | 10 | 5.26 | 4 | 30 | 9 | SOW | 600 | 16 | 50 | 23 |

All models UL listed at 125 Volt 60 HZ single phase. One inch (NPT) pipe thread opening provided for conduit inlet.

| Dimensions | | | | | | |
|------------|--------------------------------|--------------------------------|--------------------------------|--------------------------------|-------------------------------|-------------------------------|
| | A | B | C | D | E | F |
| in | 14 ¹ / ₂ | 13 ¹ / ₂ | 4 ⁷ / ₁₆ | 3 ¹ / ₁₆ | 9 ⁵ / ₈ | 7 ¹ / ₄ |
| mm | 368 | 343 | 113 | 78 | 244 | 184 |

Stainless Steel Power Cord Reels

- Designed for applications where corrosion or sanitation are a concern
- Includes a robotically welded base, engineered structural supports, and heavy gauge, electropolished 304L stainless steel
- Robust collector ring assures maximum conductivity current flow
- Includes a 4-5 ft. pigtail and a multi-positional guide arm
- Space-saving design makes them ideal for minimum space requirements



LS 5445 123 3A



Interactive Reel Catalog

Visit reelcraft.com/catalog for complete product specifications, parts, and accessories.



| Model with Cord | Cord Ending | Cord Specifications | | | | | Volts | Amps | Shipping Weight | | |
|-----------------|----------------------|---------------------|-----------------|---------|----|----|--------|------|-----------------|-----|----|
| | | AWG | mm ² | # Cond. | ft | m | | | Type | lbs | kg |
| LS 5445 123 3 | Single Receptacle | 12 | 3.32 | 3 | 45 | 14 | SJE00W | 125 | 15 | 31 | 14 |
| LS 5445 123 7A* | Duplex Box w/GFCI(F) | 12 | 3.32 | 3 | 45 | 14 | SJE00W | 125 | 20 | 33 | 15 |
| LS 5445 123 9G* | Triple Tap w/GFCI(F) | 12 | 3.32 | 3 | 45 | 14 | SJE00W | 125 | 15 | 33 | 15 |

For indoor non-weathertight applications only, in non-hazardous areas. *The GFCI Receptacle is designed to protect from line-to-ground shock hazards. The Ground Fault Circuit Interrupter does not protect against short circuits or overloads; this is the function of the fuse or circuit breaker. Swing brackets or pivot bases should be used if cords are pulled at more than 45°, see page 43.

| Dimensions | | | | | | |
|------------|--------------------------------|--------------------------------|-------------------------------|-------------------------------|--------------------------------|-------------------------------|
| | A | B | C | D | E | F |
| in | 14 ³ / ₈ | 14 ¹ / ₄ | 9 ³ / ₄ | 2 ¹ / ₂ | 10 ¹ / ₂ | 2 ¹ / ₈ |
| mm | 365 | 362 | 248 | 64 | 267 | 54 |