

Spring Retractable Single Line Fuel Gas Welding Hose Reels



Series SW - 1/4", 3/8" I.D.

Reel

- Hard coated, wear-resistant aluminum double-sealed full flow swivel
- Corrosion resistant baked-on powder coat

Hose

- Ideal for welding service – meets ARPM IP-7 and CGA E-1 standards for T-grade
- Non-conductive
- **Tube:** Synthetic rubber compound compatible with all common welding fuel gases
- **Reinforcement:** Spiral synthetic yarn
- **Cover:** Red synthetic rubber with ribbed surface



SWHD76100 OLPT

SW4425 OLPT



NOTE: All Series SW reels are listed to UL 1351 (reel only)



Interactive Reel Catalog

Visit reelcraft.com/catalog for complete product specifications, parts, and accessories.

NEW!

Reel Covers

See page 41



Pivot Bases & Swing Brackets
See page 43

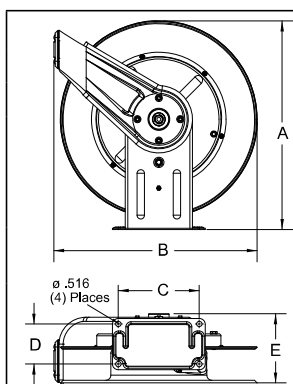


Inlet & Outlet Hoses
See page 36

Features

- Designed to improve safety in the work area with an increase in productivity and efficiency
- Full flow shaft swivels
- Double-sealed, O-rings prevent leakage
- Durable abrasion and corrosion resistant baked-on red powder-coated finish
- Reel frame, spool, and drum are fabricated of heavy gauge steel

Fuel gases commonly used in the welding, pre-heating, soldering, brazing, laboratory, heat gun, and cutting industries including, but not limited to, Acetylene, Hydrogen, Methane, Natural Gas, LP Gas, Mapp, and Propane



SW4000 reels have four 5/16" (8 mm) diameter mounting holes.

	Size Index					
	1		2		3	
	in	mm	in	mm	in	mm
A	12 ⁷ / ₈	327	20 ¹ / ₄	514	20 ¹ / ₄	514
B	12 ⁵ / ₈	321	19 ³ / ₄	502	19 ³ / ₄	502
C	8	203	7 ⁷ / ₈	200	7 ⁷ / ₈	200
D	2 ¹ / ₂	64	3 ⁷ / ₈	98	3 ⁷ / ₈	98
E	5 ⁵ / ₈	143	7	178	8 ¹ / ₄	210

Model with hose & bumper	Shipping Weight		Hose I.D.		Hose O.D.		Hose Length		Max Pressure		Hose Outlet B Size LH Thread	NPT(F) Reel Inlet	Reel Outlet	Size Index #
	lbs	kg	in	mm	in	mm	ft	m	psi	bar	in	in	in	
Single Line Fuel Gas Welding Reels Maximum Temperature 150 °F (65 °C)														
SW4425 OLPT	19	9	1/4	6	0.53	13	25	8	200	14	9/16 - 18(F)	1/4	9/16-18(F)	1
SW7650 OLPT	43	20	3/8	10	0.66	17	50	15	200	14	9/16 - 18(F)	1/2	9/16-18(M)	2
SWHD76050 OLPT	45	20	3/8	10	0.66	17	50	15	200	14	9/16 - 18(F)	1/2	9/16-18(M)	2
SWHD76100 OLPT	75	34	3/8	10	0.66	17	100	30	200	14	9/16 - 18(F)	1/2	9/16-18(M)	3

Bevel Crank / Spring Retractable Twin Line Gas Welding Hose Reels

Series BA / TW - 1/4", 3/8" I.D.

- Designed to handle various lengths of oxygen/acetylene or T-grade twin line hose
- Double sealed, special molded o-rings prevent leakage
- Swivel inlets are both permanently identified with machined grooves on the gas side to assure proper installation



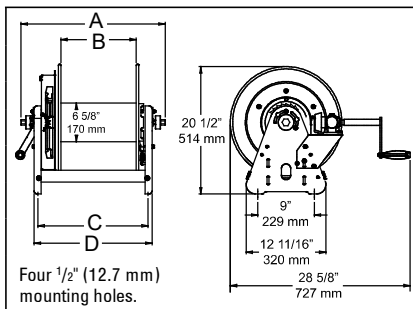
TW84100 OLPT



NOTE: TW7400 OLP(T), TW84000 OLPT, and TW86000 OLPT are listed to UL 1351

Size Index	Size Index					
	1		2		3	
	in	mm	in	mm	in	mm
A	20 ¹ / ₄	514	20 ¹ / ₄	514	25 ³ / ₈	645
B	19 ³ / ₄	502	19 ³ / ₄	502	24	610
C	7 ¹³ / ₁₆	200	7 ⁷ / ₈	200	10	254
D	3 ⁷ / ₈	98	3 ⁷ / ₈	98	6	152
E	7 ³ / ₈	187	8 ¹ / ₂	216	12 ¹ / ₄	311

Series TW5000 reels have four 5/16" (8 mm) diameter mounting holes.



Size Index	Size Index			
	4		5	
	in	mm	in	mm
A	15 ⁵ / ₈	397	21 ⁵ / ₈	550
B	6	152	12	305
C	9 ³ / ₄	248	15 ³ / ₄	400
D	11	280	17	432

Length with crank handle removed is 17 3/4" (451 mm).

Model with hose & bumper	Shipping Weight		Hose I.D.		Hose O.D.		Hose Length		Max Pressure	Hose Outlet	Reel Inlet	Reel Outlet (M)	Size Index #	
	lbs	kg	in	mm	in	mm	ft	m						psi
Oxygen / Acetylene (only) Hose Reels														
TW5425 OLP	26	12	1/4	6	.530	13	25	8	200	14	9/16 - 18(F)	1/4 NPT(F)	9/16-18	*
TW7450 OLP	50	23	1/4	6	.530	13	50	15	200	14	9/16 - 18(F)	1/4 NPT(F)	9/16-18	1
RSTW7450 OLP**	53	24	1/4	6	.530	13	50	15	200	14	9/16 - 18(F)	1/4 NPT(F)	9/16-18	1
TWHD74050 OLP	50	23	1/4	6	.530	13	50	15	200	14	9/16 - 18(F)	1/4 NPT(F)	9/16-18	1
TW7460 OLP	55	25	1/4	6	.530	13	60	18	200	14	9/16 - 18(F)	1/4 NPT(F)	9/16-18	1
TWHD74060 OLP	53	24	1/4	6	.530	13	60	18	200	14	9/16 - 18(F)	1/4 NPT(F)	9/16-18	1
TWHD74085 OLP	71	32	1/4	6	.530	13	85	26	200	14	9/16 - 18(F)	1/4 NPT(F)	9/16-18	2
TWHD76050 OLP	70	32	3/8	10	.530	13	50	15	200	14	9/16 - 18(M)	1/4 NPT(F)	9/16-18	1
Welding Gas - Oxygen / Acetylene, Mapp, Propane, Natural, and Fuel Gas (T-Grade) Hose Reels														
TW5425 OLPT	26	12	1/4	6	.530	13	25	8	200	14	9/16 - 18(F)	1/4 NPT(F)	9/16-18	*
TW7450 OLPT	50	23	1/4	6	.530	13	50	15	200	14	9/16 - 18(F)	1/4 NPT(F)	9/16-18	1
RSTW7450 OLPT**	53	24	1/4	6	.530	13	50	15	200	14	9/16 - 18(F)	1/4 NPT(F)	9/16-18	1
TWHD74050 OLPT	50	23	1/4	6	.530	13	50	15	200	14	9/16 - 18(F)	1/4 NPT(F)	9/16-18	1
TW7460 OLPT	55	25	1/4	6	.530	13	60	18	200	14	9/16 - 18(F)	1/4 NPT(F)	9/16-18	1
TWHD74085 OLPT	74	34	1/4	6	.530	13	85	26	200	14	9/16 - 18(F)	1/4 NPT(F)	9/16-18	2
TW84100 OLPT	101	46	1/4	6	.530	13	100	30	200	14	9/16 - 18(F)	9/16-18(M)	9/16-18	3
TWHD76050 OLPT	70	32	3/8	10	.625	16	50	15	200	14	9/16 - 18(F)	1/4 NPT(F)	9/16-18	1
TW86050 OLPT	90	41	3/8	10	.625	16	50	15	200	14	9/16 - 18(F)	9/16-18(M)	9/16-18	3
TW86075 OLPT	99	45	3/8	10	.625	16	75	23	200	14	9/16 - 18(F)	9/16-18(M)	9/16-18	3

Acetylene and fuel gas (red) inlet 1/4" FPT / oxygen (green) inlet 1/4" FPT. 9/16-18 models above are B size. Acetylene/fuel gas side has a LH thread and the oxygen side has a RH thread. Maximum temperature 150 °F (65 °C). **See page 10 size index 1. **RELSAFE models, see page 11.

Model without hose & bumper	Shipping Weight		Hose Capacity			Max Pressure	Reel Inlet	Reel Outlet (M)	Size Index #				
	lbs	kg	I.D.	O.D.	Length								
Oxygen / Acetylene (only) Hose Reels													
TW7400 OLP	42	19	1/4	6	.530	13	60	18	200	14	1/4 NPT(F)	9/16-18	1
Welding Gas - Oxygen / Acetylene, Mapp, Propane, Natural, and Fuel Gas (T-Grade) Hose Reels													
TW7400 OLPT	43	20	1/4	6	.530	13	60	18	200	14	1/4 NPT(F)	9/16-18	1
BA36106 LT*	50	23	1/4	6	.530	13	125	38	200	14	1/4 NPT(F)	9/16-18	4
BA36112 LT*	57	26	1/4	6	.530	13	250	76	200	14	1/4 NPT(F)	9/16-18	5
TW84000 OLPT	81	37	1/4	6	.530	13	100	30	200	14	9/16 - 18(M)	9/16-18	3
TW86000 OLPT	86	39	3/8	10	.625	16	75	23	200	14	9/16 - 18(M)	9/16-18	3

Maximum temperature 150 °F (65 °C). *Bevel crank model.

Dual swivel is an exclusive Reelcraft design

The aluminum dual swivel body is hard coated for wear resistance. This assures positive separation of gases due to its unique design. Available with Series TW5000, TW7000, and TWHD70000 reels.



Inlet & Outlet Hoses
See page 36

NEW! Reel Covers



See page 41

Single Line Welding Inlet Hose Assemblies

Part Number	Hose I.D.		Length		End Fittings	Pressure		Weight	
	in	mm	ft	m		in	psi	bar	lbs
T-Grade Hoses									
S601162-2	1/4	6	2	0.61	9/16-18 LH(F)	200	14	0.4	0.18
S601162-4	1/4	6	4	1.22	9/16-18 LH(F)	200	14	0.8	0.36
S601162-6	1/4	6	6	1.83	9/16-18 LH(F)	200	14	1.2	0.54
S601163-2	3/8	10	2	0.61	9/16-18 LH(F)	200	14	0.4	0.18
S601163-4	3/8	10	4	1.22	9/16-18 LH(F)	200	14	0.8	0.36
S601163-6	3/8	10	6	1.83	9/16-18 LH(F)	200	14	1.2	0.54

NOTE: All single line welding inlet hose assemblies listed include all the required adapters to connect to the reel. No additional purchase necessary.



S601163-4



S601162-50

Single Line Welding Outlet Hose Assemblies

Part Number	Hose I.D.		Length		End Fittings	Pressure		Weight	
	in	mm	ft	m		in	psi	bar	lbs
T-Grade Hoses									
S601162-25	1/4	6	25	8	9/16-18 LH(F)	200	14	3	1.4
S601162-50	1/4	6	50	15	9/16-18 LH(F)	200	14	5	2.3
S601163-50	3/8	10	50	15	9/16-18 LH(F)	200	14	6	2.7
S601163-100	3/8	10	100	30	9/16-18 LH(F)	200	14	12	5.4

Twin Line Welding Inlet Hose Assemblies

Part Number	Hose I.D.		Length		End Fittings	Pressure		Weight	
	in	mm	ft	m		in	psi	bar	lbs
Oxygen-Acetylene (RM grade) Hoses									
S600100-2	1/4	6	2	0.61	9/16-18 LH/RH(M/F)	200	14	0.70	0.32
S600100-4	1/4	6	4	1.22	9/16-18 LH/RH(M/F)	200	14	1.12	0.51
S600100-6	1/4	6	6	1.83	9/16-18 LH/RH(M/F)	200	14	1.90	0.86
S601032-2	1/4	6	2	0.61	9/16-18 LH/RH(F)	200	14	0.56	0.25
S601032-4	1/4	6	4	1.22	9/16-18 LH/RH(F)	200	14	1.12	0.51
S601032-6	1/4	6	6	1.83	9/16-18 LH/RH(F)	200	14	1.68	0.76
T-Grade Hoses									
S601031-2	1/4	6	2	0.61	9/16-18 LH/RH(F)	200	14	0.70	0.32
S601031-4	1/4	6	4	1.22	9/16-18 LH/RH(F)	200	14	1.12	0.51
S601031-6	1/4	6	6	1.83	9/16-18 LH/RH(F)	200	14	1.90	0.86
S601040-6	3/8	10	6	1.83	9/16-18 LH/RH(F)	200	14	2	0.91



S600100-6



S601031-4

Twin Line Welding Outlet Hose Assemblies

Part Number	Hose I.D.		Length		End Fittings	Pressure		Weight	
	in	mm	ft	m		in	psi	bar	lbs
Oxygen-Acetylene (RM grade) Hoses									
601032-25	1/4	6	25	8	9/16-18 LH/RH(F)	200	14	6.5	3.0
601032-50	1/4	6	50	15	9/16-18 LH/RH(F)	200	14	12.1	5.5
601032-60	1/4	6	60	18	9/16-18 LH/RH(F)	200	14	13.3	6.0
601032-100	1/4	6	100	30	9/16-18 LH/RH(F)	200	14	24.2	11
T-Grade Hoses									
601031-25	1/4	6	25	8	9/16-18 LH/RH(F)	200	14	6.5	3.0
601031-50	1/4	6	50	15	9/16-18 LH/RH(F)	200	14	12.1	5.5
601031-60	1/4	6	60	18	9/16-18 LH/RH(F)	200	14	14.4	6.5
601031-100	1/4	6	100	30	9/16-18 LH/RH(F)	200	14	24.2	11
601040-50	3/8	10	50	15	9/16-18 LH/RH(F)	200	14	15.5	7
601040-75	3/8	10	75	23	9/16-18 LH/RH(F)	200	14	18	8.2
601040-100	3/8	10	100	30	9/16-18 LH/RH(F)	200	14	23.3	10.6



601040-75

Twin Hose Inlet Connection Fittings

Part Number	Inlet Connection Fittings
S300090	Acetylene - B size 9/16 - 18 LH (M) x 1/4" NPT (M) 90°
S300091	Oxygen - B size 9/16 - 18 LH (M) x 1/4" NPT (M) 90°
261371	Oxygen - B size 9/16 - 18 RH (M) x 3/8" NPT (M)
261372	Acetylene - B size 9/16 - 18 LH (M) x 3/8" NPT (M)

Advise product to be handled, maximum temperature, and pressure fitting size when ordering. **Caution:** Be sure working pressure required does not exceed above ratings.

Hand Crank / Spring Retractable Welding Cable Reels Series CEA / WC

- Designed to improve safety in the work area with an increase in efficiency and productivity
- Cable reels have a current path through a continuous 400 or 700 AMP, 90 V DC (maximum) rated enclosed slip ring
- Keeps work area and vehicles better organized, resulting in better space utilization
- Stores cable when not in use, eliminating tangled, kinked welding cables
- Welding cable reels store work lead or electrode lead, up to 4/0, safely and effectively when not in use. Each lead requires a separate reel. When welding also refer to ANSI/Asc Z 49.1
- Maintains proper bend radius of cables, providing longer cable life



Diagram	Size Index					
	1		2		3	
	in	mm	in	mm	in	mm
A	20 ¹ / ₄	514	20 ¹ / ₄	514	25 ³ / ₈	645
B	19 ³ / ₄	502	19 ³ / ₄	502	24	610
C	7 ⁷ / ₈	200	7 ⁷ / ₈	200	10	254
D	3 ⁷ / ₈	98	3 ⁷ / ₈	98	6	152
E	13 ¹ / ₄	337	14	356	15 ⁵ / ₈	397

Diagram	Size Index			
	4		5	
	in	mm	in	mm
A	6	152	12	305
B	9 ³ / ₄	248	15 ³ / ₄	400
C	11	279	17	432
D	15	381	21	533
E	21	533	27	686

Four 1/2" (12.7 mm) diameter mounting holes.

NEW!
Reel Covers
See page 41

Interactive Reel Catalog
Visit reelcraft.com/catalog for complete product specifications, parts, and accessories.

Model without cable & bumper	Cable Size								Amps	Shipping Weight		Size Index #		
	#2 (34mm ²)		#1 (42mm ²)		1/0 (54mm ²)		2/0 (67mm ²)			3/0 (85mm ²)			4/0 (107mm ²)	
	ft	m	ft	m	ft	m	ft	m		ft	m		ft	m
CEA30006**	300	91	250	76	200	61	150	46	-----	400	46	21	4	
CEA30012**	500*	152	500*	152	400	122	300	91	-----	400	54	24	5	
WC7000	-----	-----	50	15	50	15	50	15	-----	400	58	26	1	
WCH7000	-----	-----	-----	-----	-----	-----	-----	-----	50	700	58	26	2	
WC80001	-----	-----	75	23	75	23	75	23	-----	400	102	46	3	
WC80002	-----	-----	100	30	-----	-----	-----	-----	-----	400	104	47	3	
WCH80001	-----	-----	-----	-----	-----	-----	-----	-----	75	700	102	46	3	

*May exceed maximum cable length allowable for most welding applications. **NOTE:** Each cable requires separate reel.
**Hand crank reel

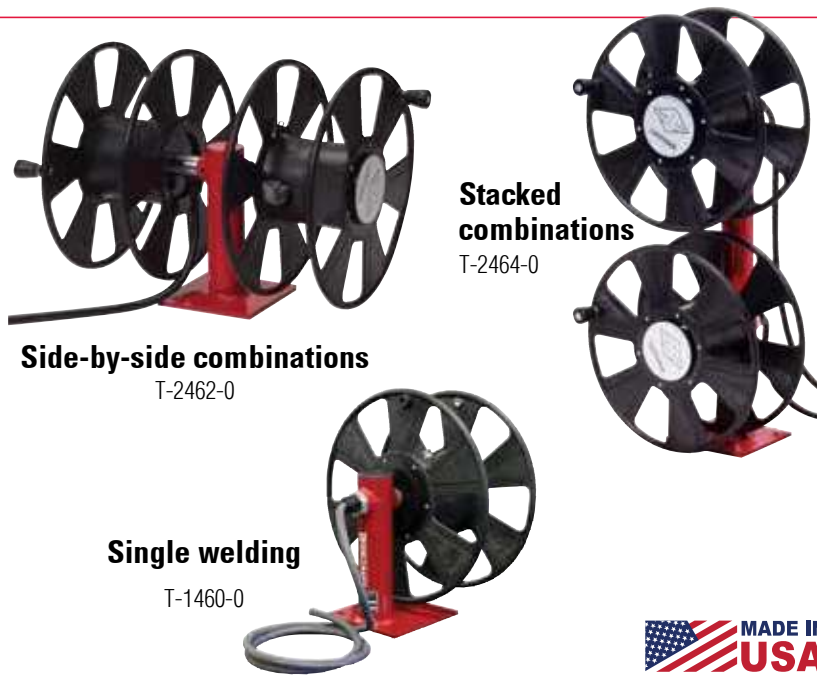
Caution: If cable reels are to be used for extended periods of time, unwind all cable from reel to prevent heat build-up. **For indoor non-weathertight applications only.**

Cable Size	Bumper
#2, #1	1-HR1004-A
1/0, 2/0, 3/0	1-HR1004
4/0	2-HR1004-3

Hand Crank Reels

Up to 150' fuel gas
Up to 100' 8/3 cable

- Designed for manual winding of air/water/fuel gas hose, electric cord, and welding cable
- Ideal for applications where space, weight, and flexibility are key
- Offer trouble-free management of large capacities of hose or cord
- Glass-filled nylon spools are very strong and durable while ensuring that no conductivity occurs
- A substantial welded aluminum base is used to support the weight of the spool



Dimensions - Size Index									
Diagram	1		Diagram	2		Diagram	3		
	in	mm		in	mm		in	mm	
	A	38	965		38	965		19	483
	B	18	457		18	457		18	457
	C	6	152		6	152		6	152
	D	6 1/2	165		6 1/2	165		6 1/2	165
	E	16 1/4	737		16 1/4	737		29	737

Four 1/2" (12.7 mm) diameter mounting holes

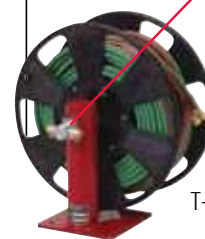
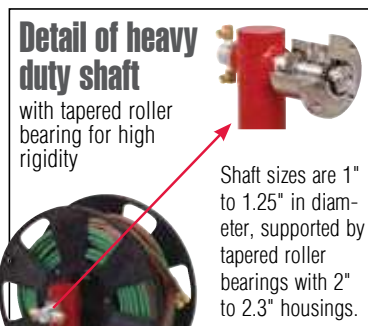
Model without hose	Hose I.D.		Hose O.D.		Reel Capacity		Pressure		Shipping Weight		Size Index #
	in	mm	in	mm	ft	m	psi	bar	lbs	kg	
Single Spool Oxygen/Acetylene T-Grade Seals Maximum temperature 150 °F (65 °C)											
T-1225-04	1/4	6	.530	13	150	45	200	14	19	9	1
T-1225-04-100T*	1/4	6	.530	13	100	30	200	14	44	20	1
T-1226-06	3/8	10	.625	16	100	30	200	14	19	9	1

*Includes hose.

Model without cable	Cable Size						Cable / Hose Capacity	Volts	Amps	Shipping Weight		Size Index #	
	#1 (42 mm²)		1/0 (54 mm²)		2/0 (67 mm²)					lbs	kg		
	ft	m	ft	m	ft	m	ft	m					
Single Welding Cable													
T-1460-0	250	76	200	61	200	61	-----	600	300	32	15	1	
Dual Side-by-Side Welding Cable (2)													
T-2462-0	250	76	200	61	200	61	-----	600	250	51	23	3	
Dual Stacked Welding Cable (2)													
T-2464-0	250	76	200	61	200	61	-----	600	250	62	28	2	
Dual Side-by-Side Power Cable/Air Hose													
T-2735-2-0*	---	---	---	---	---	---	200/150	61/45	600	33	40	18	3

For indoor non-weathertight applications only. *Air hose side has 1/2" (12.7mm) inlet.

Caution: Compressed air hoses should not be converted to oxygen service. Compressed air hoses are often contaminated with an oil coating, which can react explosively when oxygen is introduced. Oxygen/Acetylene cannot be combined with welding cable or power cord. **Note:** Safe-T-Reels are available with cable or hose and in various combinations. Please consult Reelcraft customer service for additional information.



T-1225-04-100T



Interactive Reel Catalog

Visit reelcraft.com/catalog for complete product specifications, parts, and accessories.



Inlet & Outlet Welding Hoses
See page 36