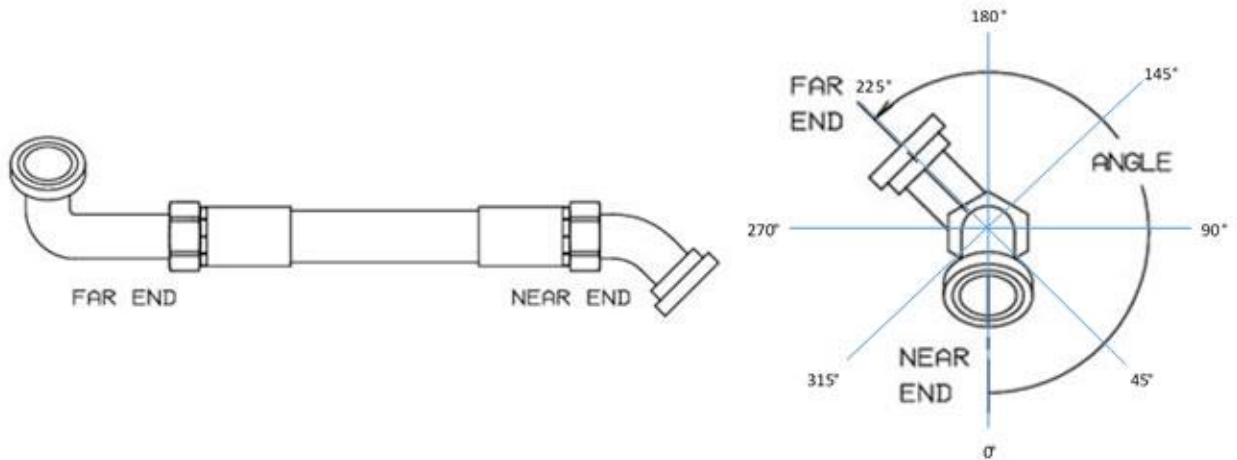


Phase Angle

Near end reference method:

1. Hold the hose assembly as if you are looking into a telescope.
2. Position the elbow fitting closest to you at the 6 o'clock position (straight down).
3. Identify the position of the farthest fitting, reading counter-clockwise.



Far End Reference Method (the method used by Parker's Hose Products Division):

1. Hold the hose assembly as if you are looking into a telescope.
2. Position the elbow fitting farthest from you to 6 o'clock position (straight down).
3. Identify the position of the closest fitting, reading clockwise.

